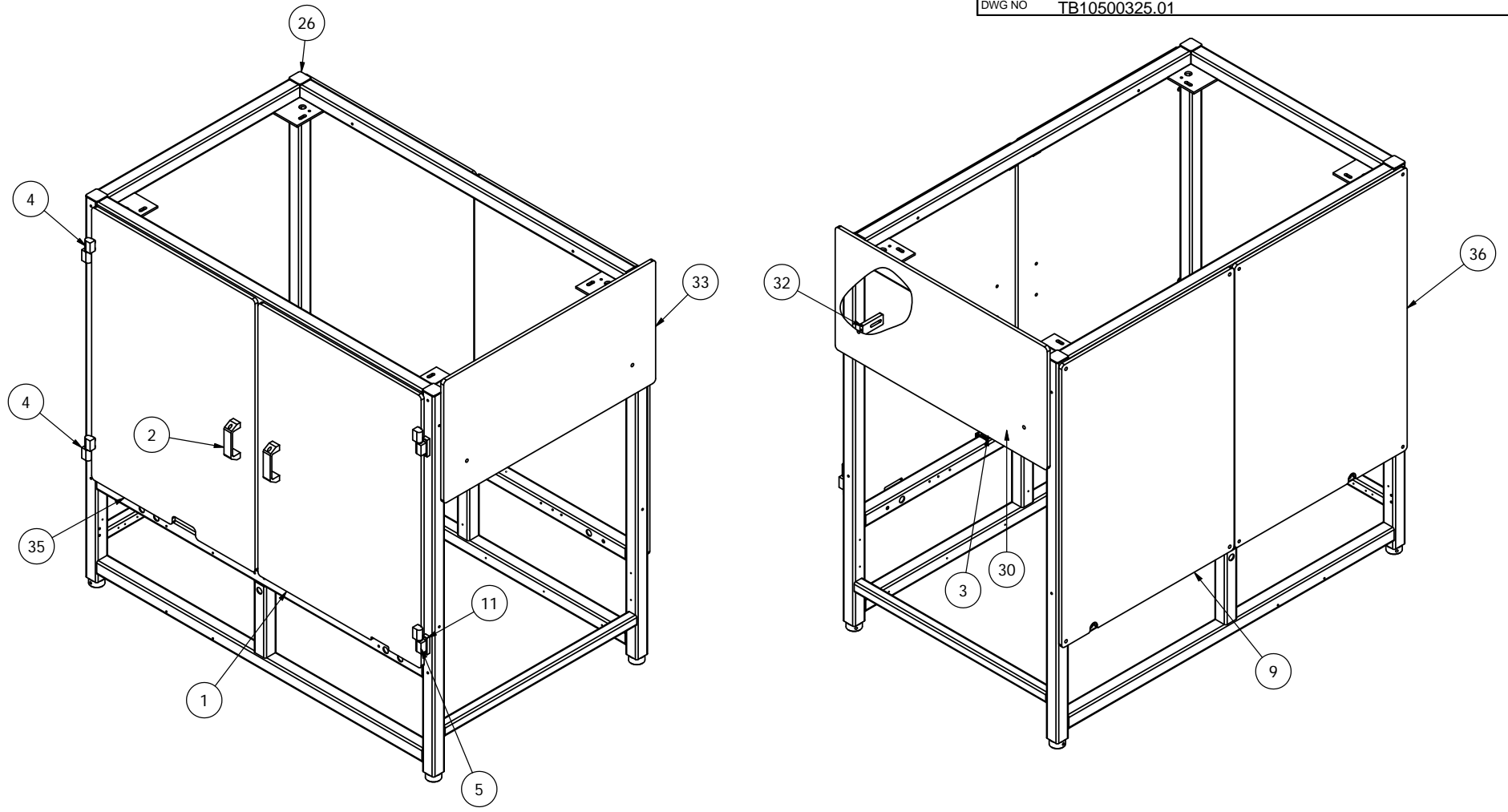



DWG NO TB10500325.01



<b>MATERIAL</b> SEE BOM	<b>FINISH</b> NONE	<b>DESCRIPTION</b> ASSY-COVERS & LABELS TBS100FC			
<small>TOLERANCES                  (UNLESS OTHERWISE SPECIFIED)                  .000 = ± .003    .00 = ± .010                  ANGLES = ± 1/2                  FRACTION = ± 1/64</small>	<small>THIS DRAWING IS NOT TO                  BE REPRODUCED OR COPIED                  WITHOUT CONSENT FROM                  COMBI PACKAGING SYSTEMS</small>	<small>DRAWN BY</small> TPW	<small>DRAFT DATE</small> 8/23/2006	<small>SCALE</small> 1/10:1	
		<small>CHECKED BY</small>	<small>CHECK DATE</small>	<small>SIZE</small> B	<small>DWG NO</small> TB10500325.01