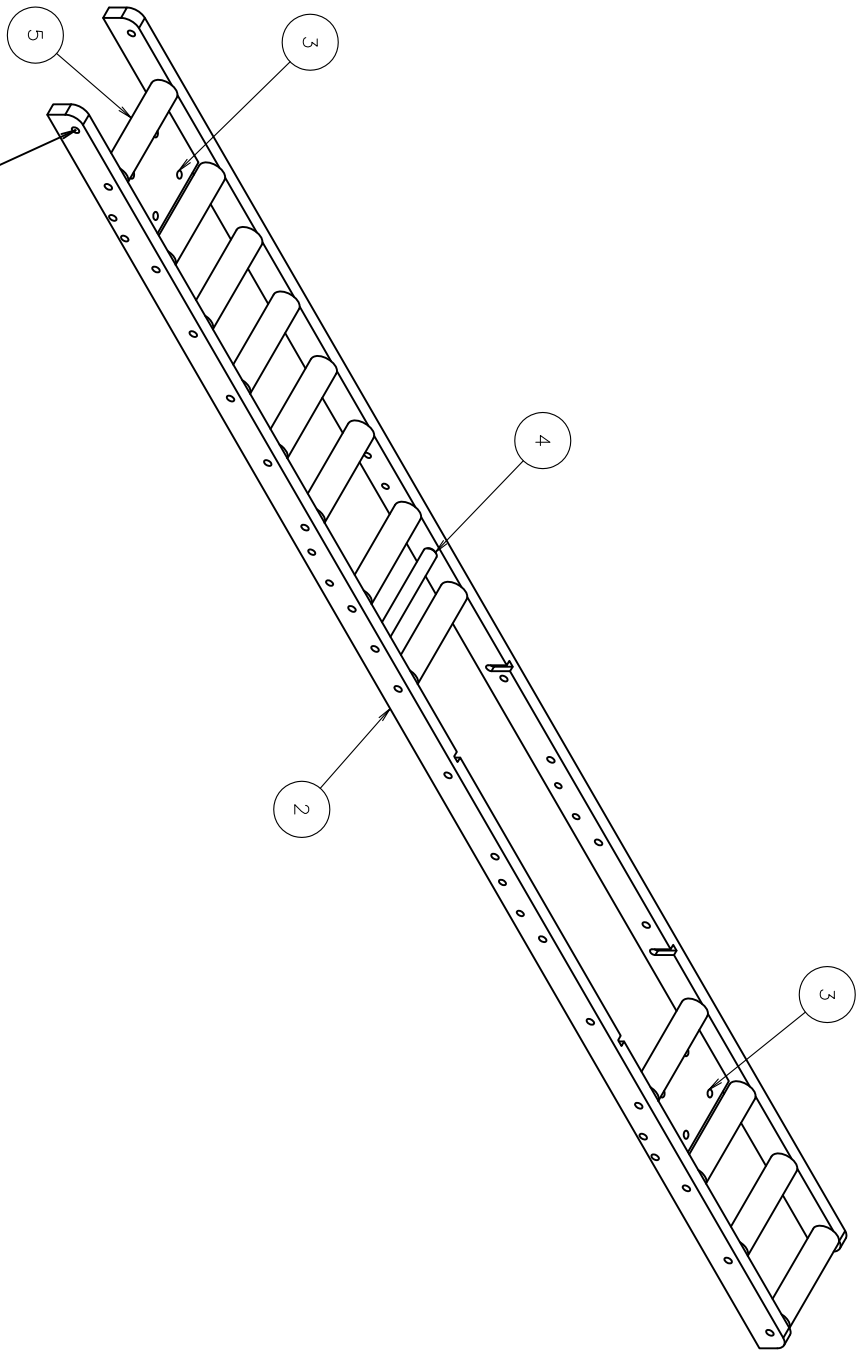


DWG NO TB10500322.01



NOTE: ZERO-LINE ASSY
ADD (1) ROLLER

MATERIAL	FINISH	DESCRIPTION	DRAFT DATE	SCALE	
SEE BOM	—	ASSY-BOTTOM 3M 2" C-LINE CAT. 143	02/02/2005	3"=10"	
TOLERANCES (UNLESS OTHERWISE SPECIFIED) .000 = ±.003 .00 = ±.010 ANGLES = ±1/2° FRACTIONS = ±1/64		NOTE THIS DRAWING IS NOT TO BE REPRODUCED OR COPIED WITHOUT THE WRITTEN CONSENT OF GUMMI PACKAGING SYSTEMS		CHECKED BY	DWG NO
		DRAWN BY JSM	CHECK DATE	SIZE	TB10500322.01
				B	