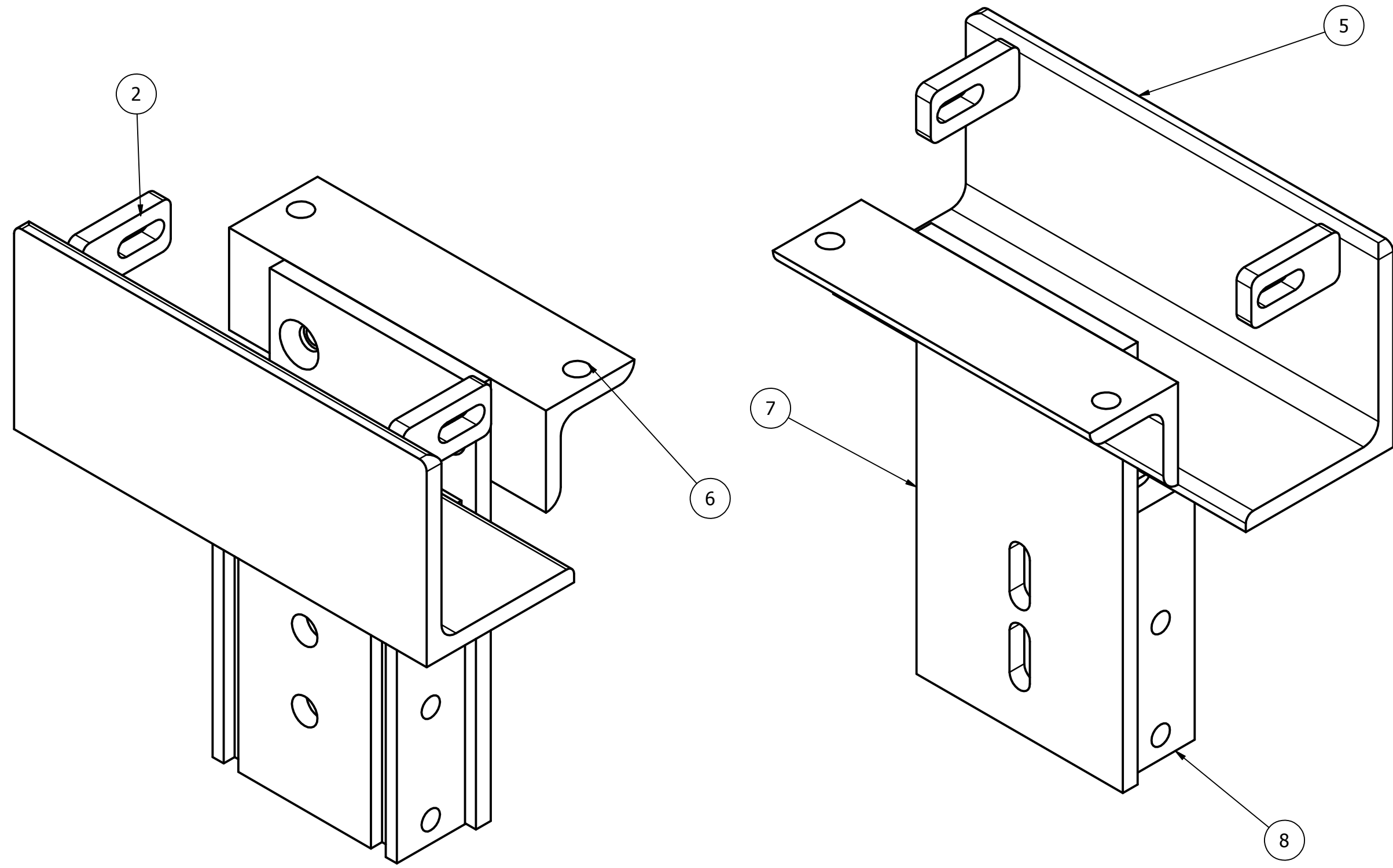



DWG NO TB10500267.02		
REV.	DATE	DESCRIPTION
▲	1/3/14	TB10300567.04 WAS TB10400130.07, RMVD ROLLER PC0000004M - VRB



MATERIAL <b>SEE BOM</b>	FINISH -	DESCRIPTION <b>Case Indexer</b>			
<small>TOLERANCES (UNLESS OTHERWISE SPECIFIED) .000 = ± .003    .00 = ± .010 ANGLES = ± 1/2 FRACTION = ± 1/64</small>	<small>NOTE: THIS DRAWING IS NOT TO BE REPRODUCED OR COPIED WITHOUT CONSENT FROM COMBI PACKAGING SYSTEMS</small>	DRAWN BY <b>jvandyke</b>	DRAFT DATE <b>8/28/2008</b>	SCALE <b>3:4</b>	
		CHECKED BY	CHECK DATE	SIZE <b>B</b>	DWG NO <b>TB10500267.02</b>