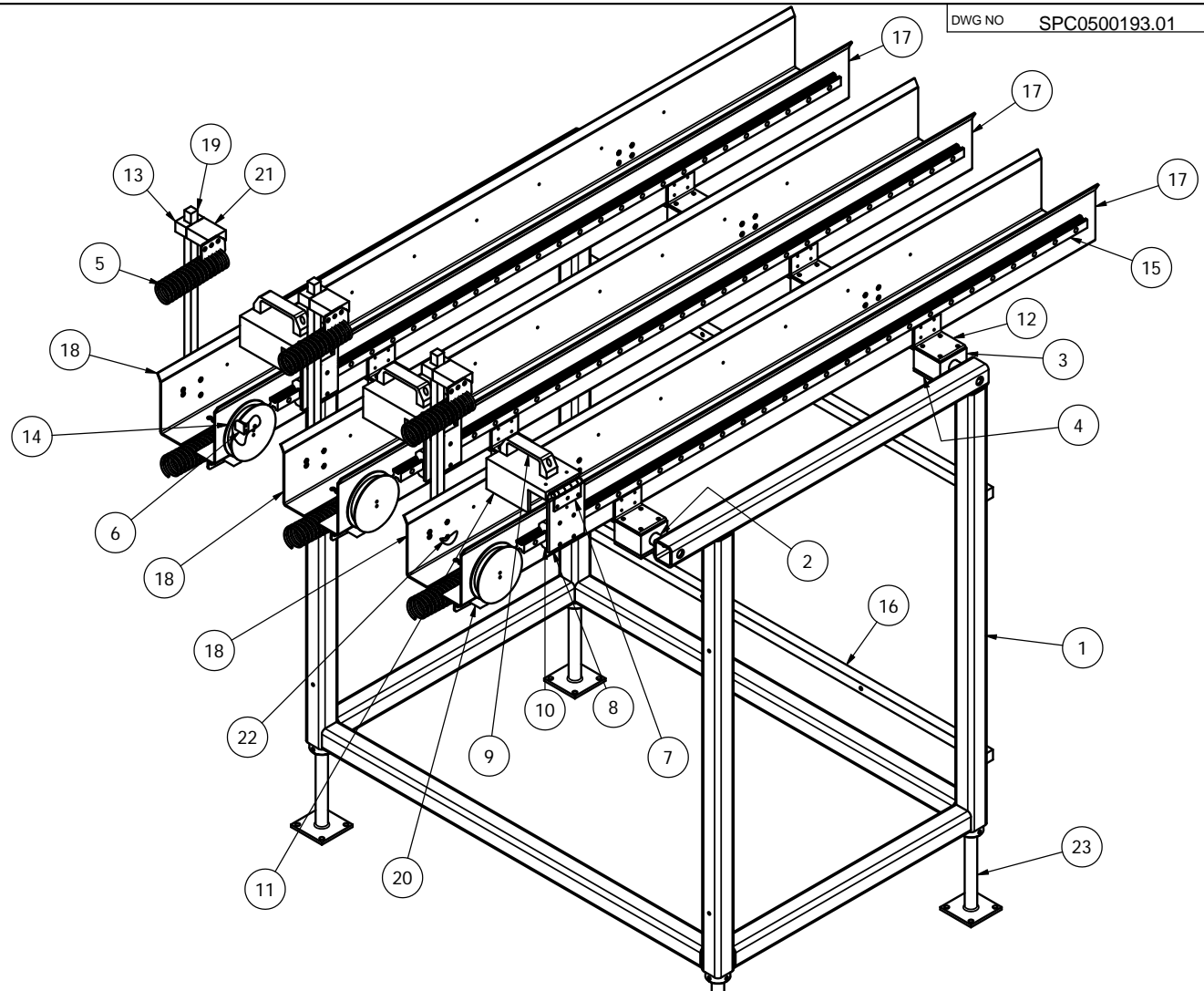


DWG NO SPC0500193.01



NOTE:
UNLESS OTHERWISE SPECIFIED BREAK ALL SHARP EDGES

DEVIATIONS FROM THIS DRAWING MUST BE
ADDRESSED WITH COMBI PACKAGING SYSTEMS LLC

MATERIAL SEE B/M <small>TOLERANCES (UNLESS OTHERWISE SPECIFIED) .000 = ± .003 .00 = ± .010 ANGLES = ± 1/2 FRACTION = ± 1/64</small>	FINISH <small>THIS DRAWING IS NOT TO BE REPRODUCED OR COPIED WITHOUT CONSENT FROM COMBI PACKAGING SYSTEMS</small>	DESCRIPTION MAG - ERGO STORAGE AREA			
		DRAWN BY BPL	DRAFT DATE 4/26/2011	SCALE -	
		CHECKED BY	CHECK DATE	DWG NO SPC0500193.01	