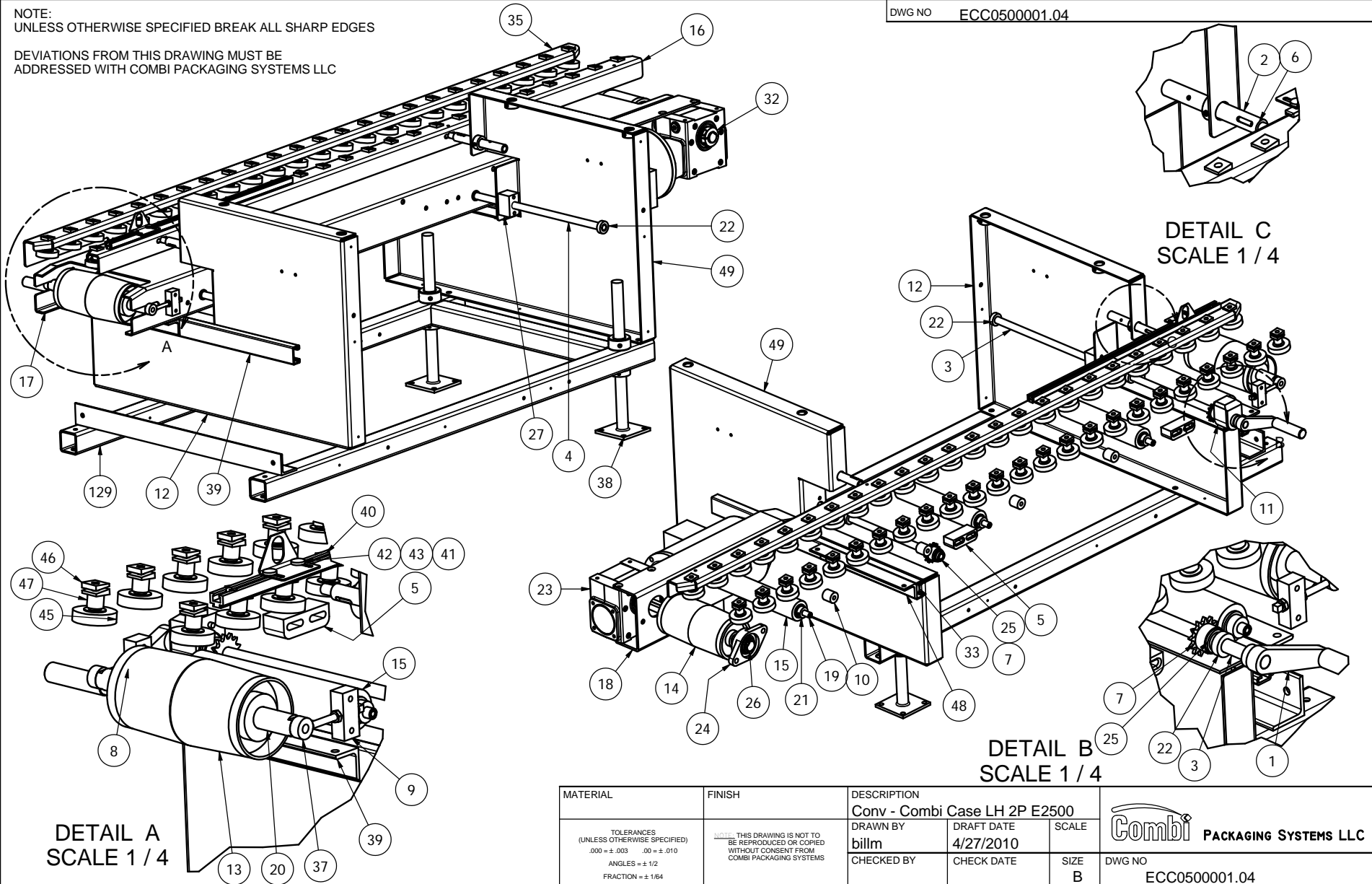


NOTE:
UNLESS OTHERWISE SPECIFIED BREAK ALL SHARP EDGES

DEVIATIONS FROM THIS DRAWING MUST BE
ADDRESSED WITH COMBI PACKAGING SYSTEMS LLC

DWG NO ECC0500001.04



DETAIL A
SCALE 1 / 4

DETAIL B
SCALE 1 / 4

DETAIL C
SCALE 1 / 4

MATERIAL	FINISH	DESCRIPTION		
TOLERANCES (UNLESS OTHERWISE SPECIFIED) .000 = ± .003 .00 = ± .010 ANGLES = ± 1/2 FRACTION = ± 1/64	THIS DRAWING IS NOT TO BE REPRODUCED OR COPIED WITHOUT CONSENT FROM COMBI PACKAGING SYSTEMS	Conv - Combi Case LH 2P E2500		
		DRAWN BY	DRAFT DATE	SCALE
		billm	4/27/2010	
		CHECKED BY	CHECK DATE	SIZE
		B		
			DWG NO ECC0500001.04	