

TBS100FC DRIVES

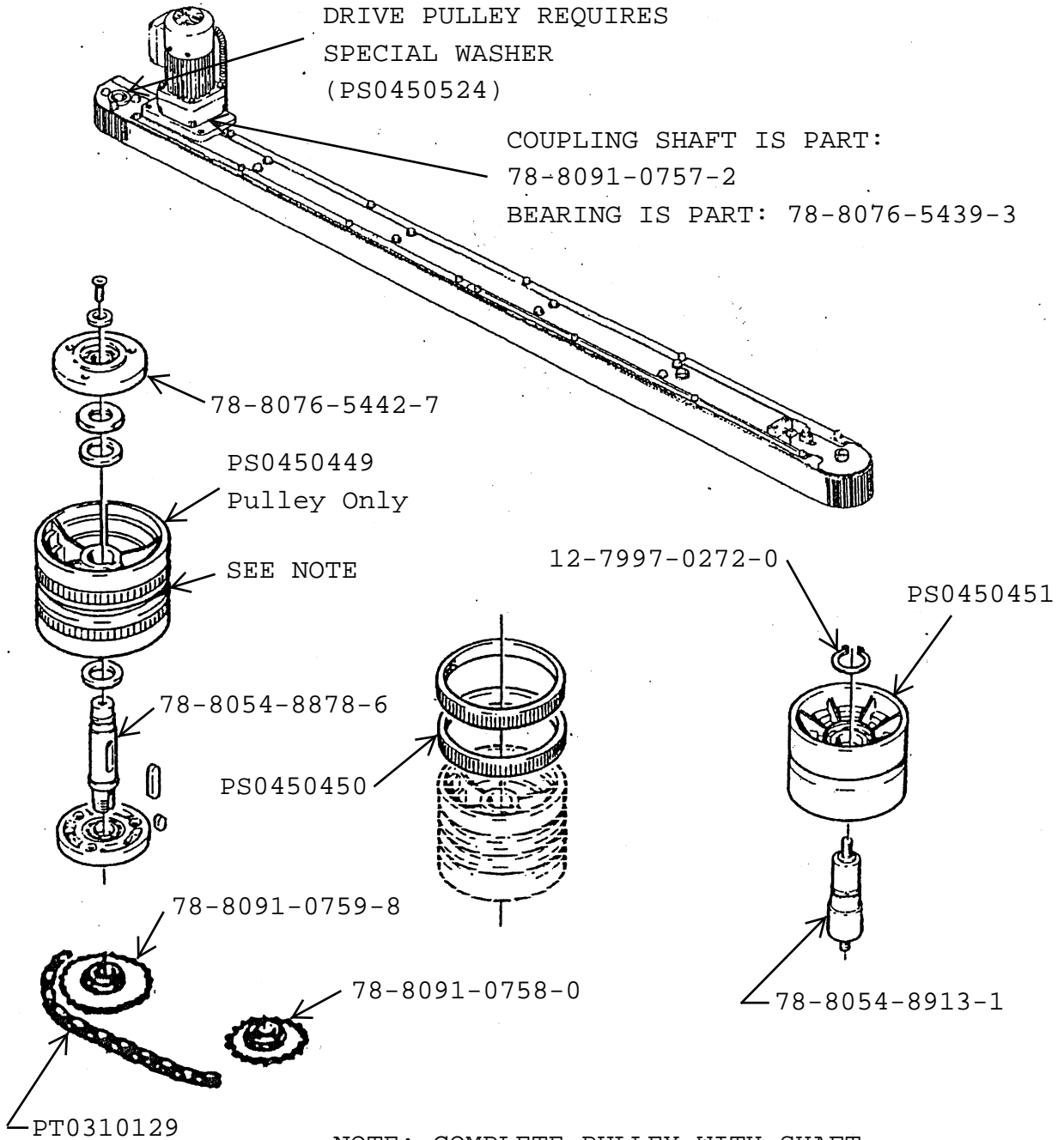
Complete Drive Part Numbers

TBS100FC
PS0450181
PS0450182
PC0600170E-Belt

TBS100FCXL
PS0450195
PS0450196
PC0600169E-Belt

ON HIGH SPEED UNITS
DRIVE PULLEY REQUIRES
SPECIAL WASHER
(PS0450524)

COUPLING SHAFT IS PART:
78-8091-0757-2
BEARING IS PART: 78-8076-5439-3



NOTE: COMPLETE PULLEY WITH SHAFT
AND BEARINGS IS PART NUMBER 78-8076-4862-7