

8

7

6

5

4

3

2

1

F

E

D

C

B

A

F

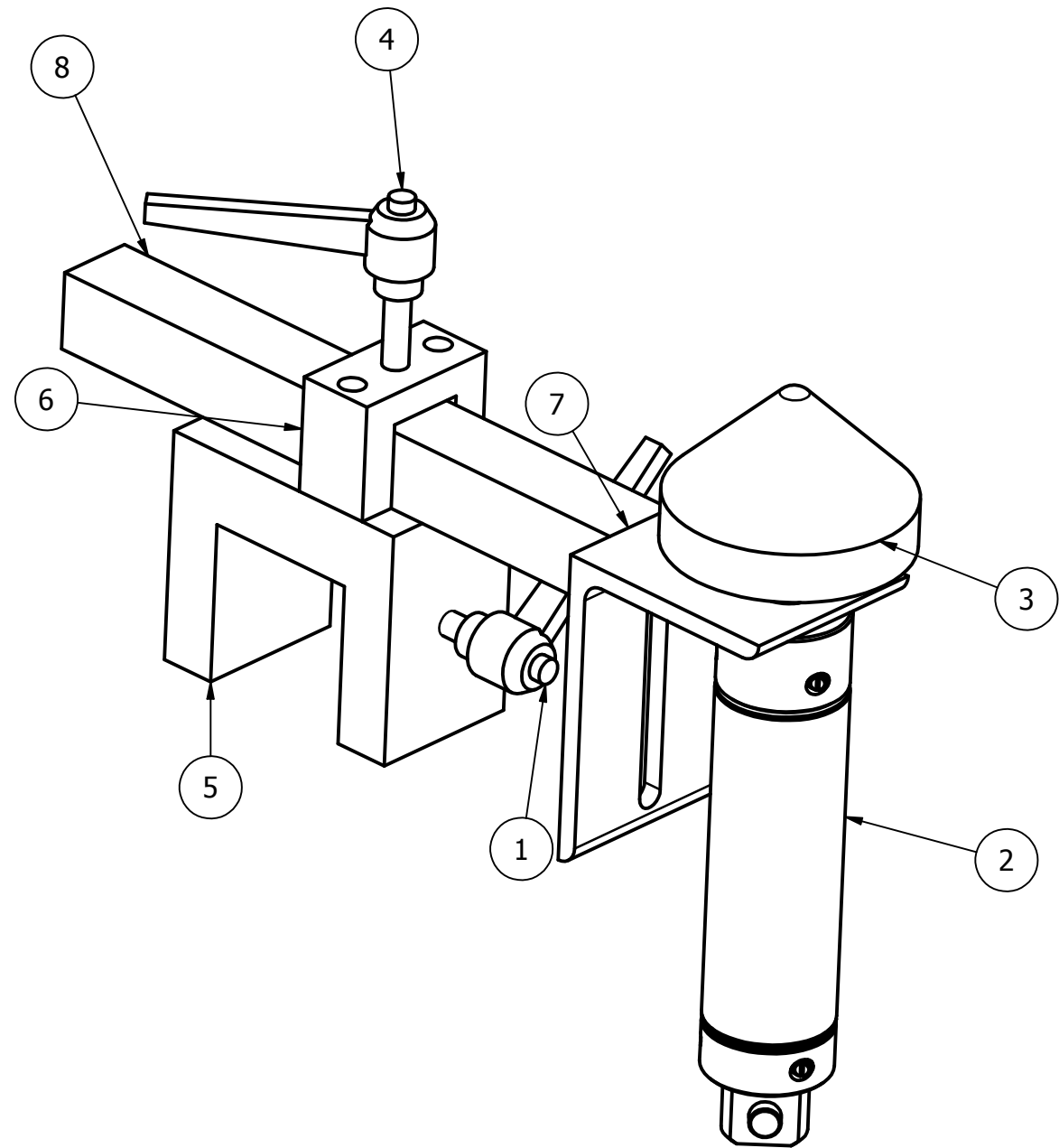
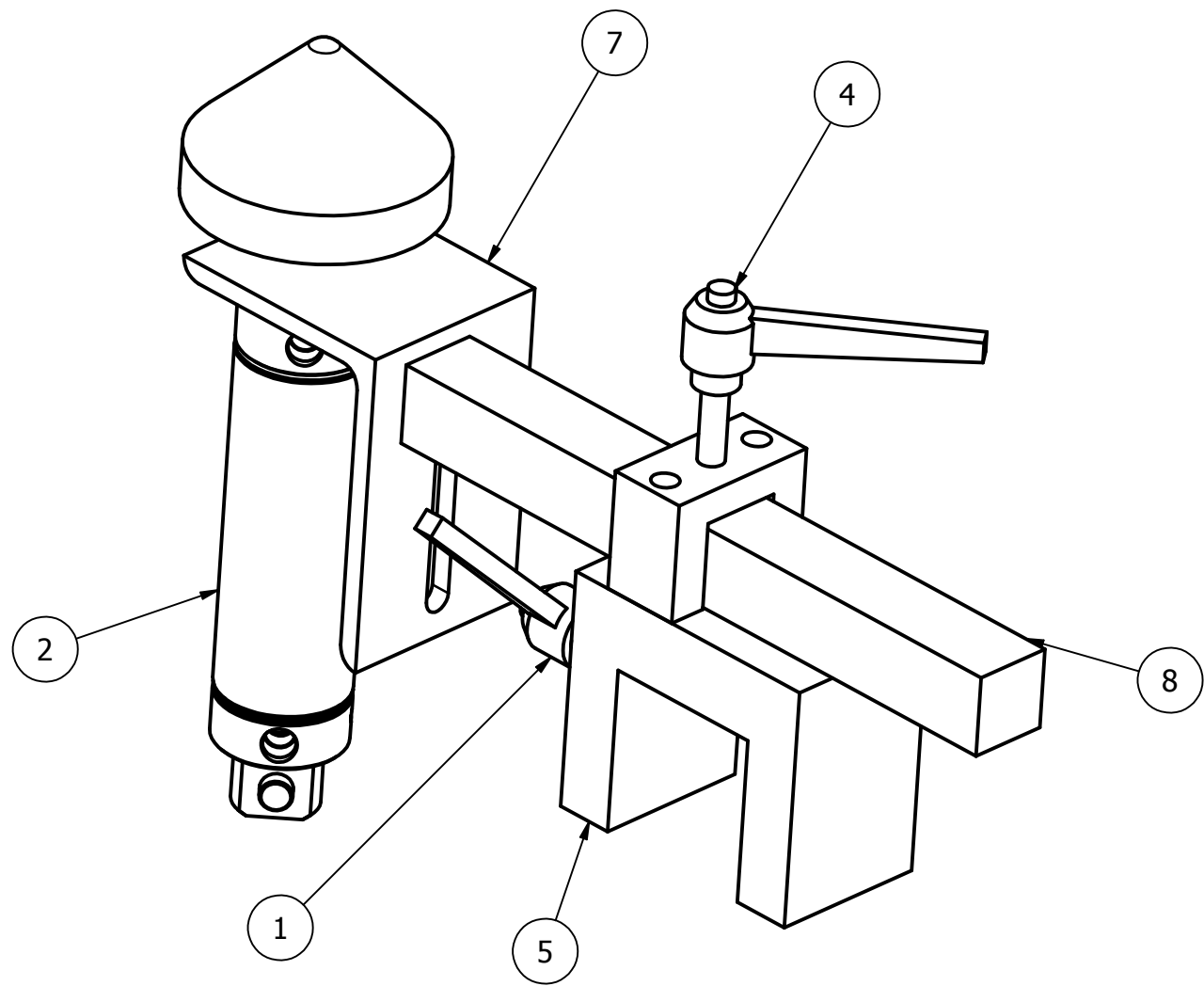
E

D

C

B

A



NOTE:
UNLESS OTHERWISE SPECIFIED BREAK ALL SHARP EDGES

DEVIATIONS FROM THIS DRAWING MUST BE
ADDRESSED WITH COMBI PACKAGING SYSTEMS LLC

MATERIAL
SEE BOM

TOLERANCES
(UNLESS OTHERWISE SPECIFIED)
.000 = ± .003 .00 = ± .010

ANGLES = ± 1/2
FRACTION = ± 1/64

FINISH
-

NOTE:
THIS DRAWING IS NOT TO
BE REPRODUCED OR COPIED
WITHOUT CONSENT FROM
COMBI PACKAGING SYSTEMS

DESCRIPTION
Openr - Major Flap 2EZHS

DRAWN BY
jvandyke

DRAFT DATE
09/16/08

SCALE
1:2

CHECKED BY

CHECK DATE

SIZE
B

Combi PACKAGING SYSTEMS LLC

DWG NO
4BE0500007.22

Sheet 1 of 1

REV
0

8

7

6

5

4

3

2

1

