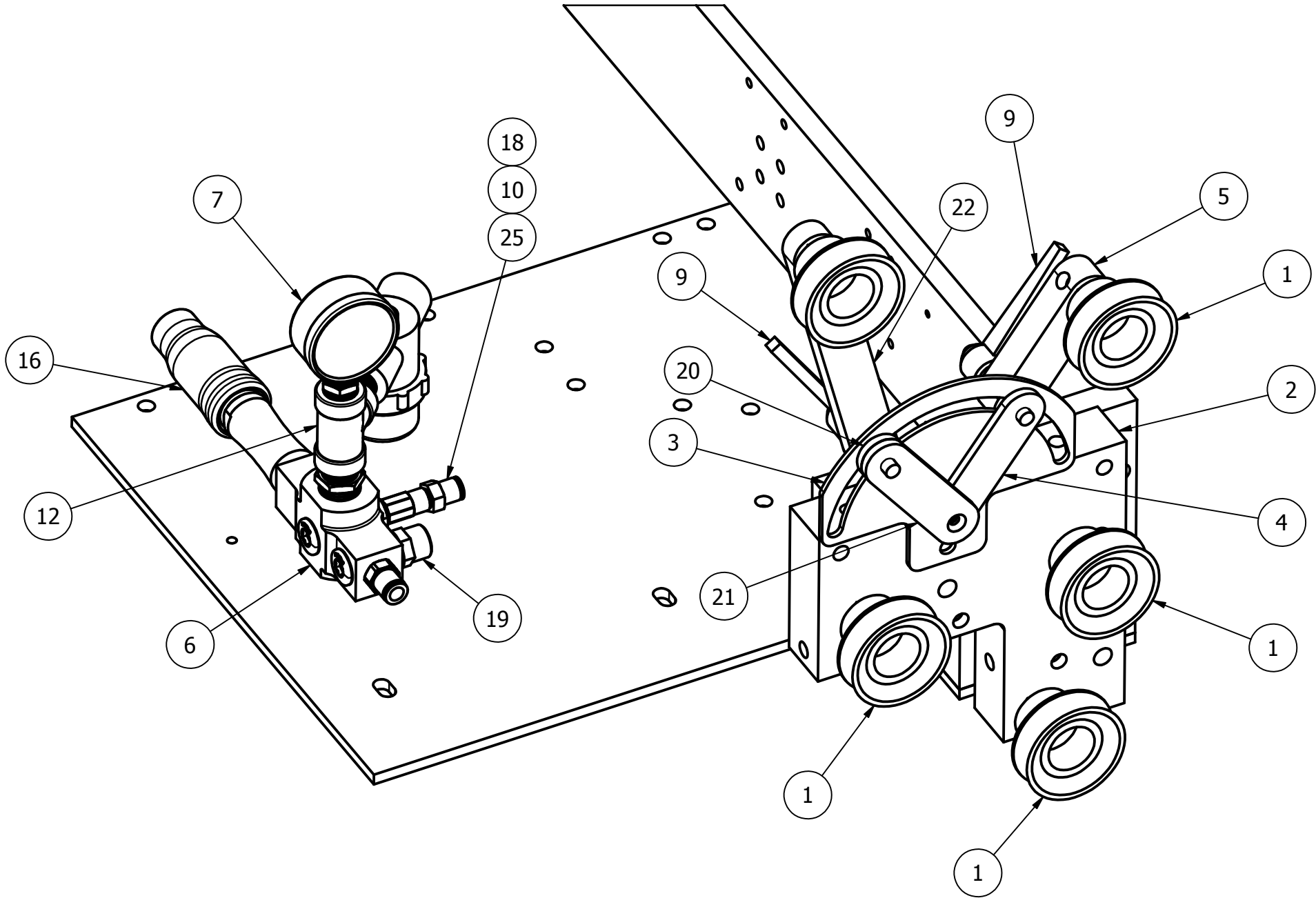
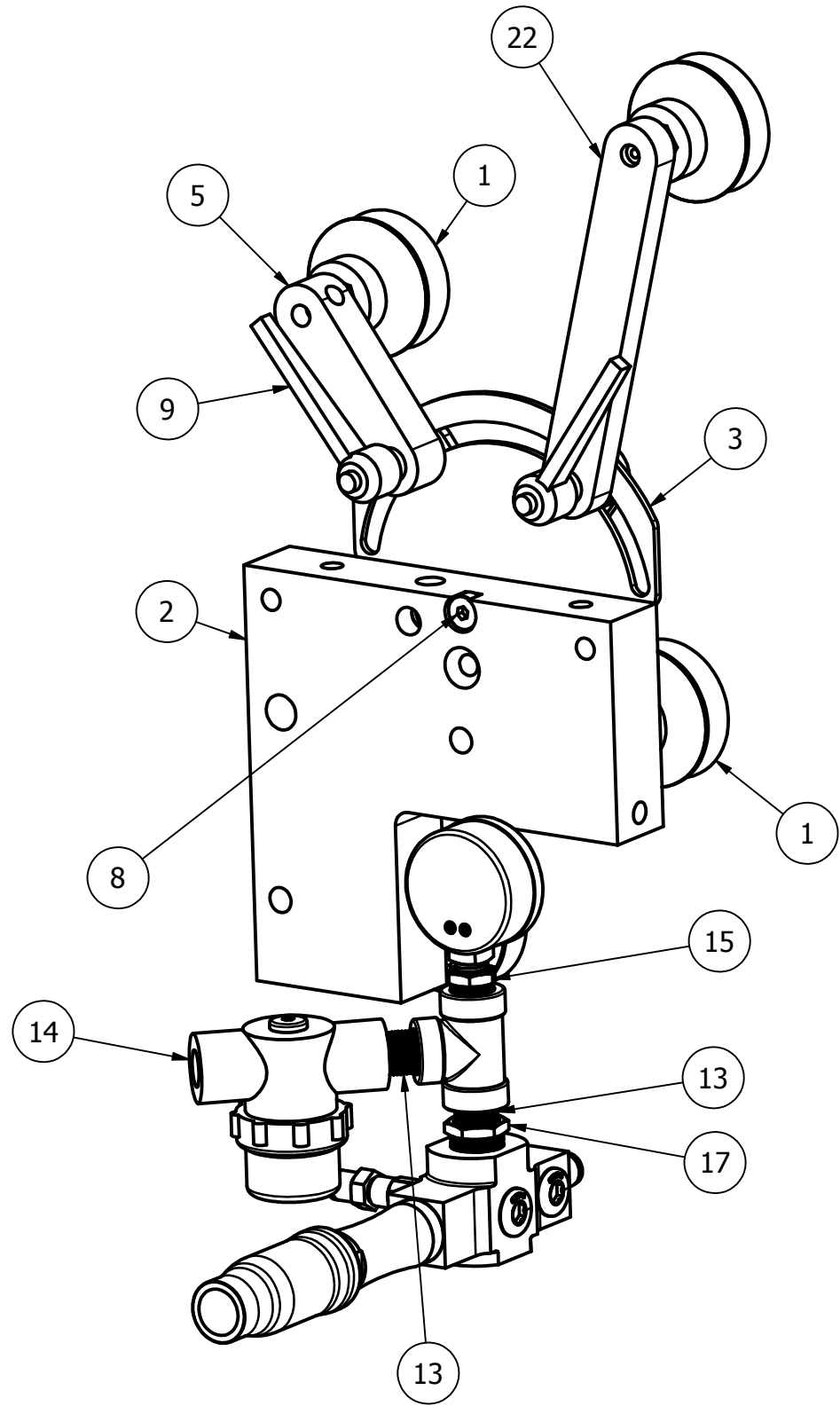


REVISION HISTORY			
REV	DESCRIPTION	DATE	BY
1	ADDED DOUBLE SWING ARM	01/31/12	JK
2	CHANGE LOCATION & RECONFIGURE FILTER AND GUAGE	02/11/16	BAS



NOTE:
UNLESS OTHERWISE SPECIFIED BREAK ALL SHARP EDGES

DEVIATIONS FROM THIS DRAWING MUST BE
ADDRESSED WITH COMBI PACKAGING SYSTEMS LLC

MATERIAL SEE BOM
TOLERANCES (UNLESS OTHERWISE SPECIFIED) .000 = ± .003 .00 = ± .010 ANGLES = ± 1/2 FRACTION = ± 1/64

FINISH ~
NOTE: THIS DRAWING IS NOT TO BE REPRODUCED OR COPIED WITHOUT CONSENT FROM COMBI PACKAGING SYSTEMS

DESCRIPTION Vacum - 2EZHS, 2009, LH, Becker		
DRAWN BY WRM	DRAFT DATE 10/26/10	SCALE 1/2
CHECKED BY	CHECK DATE	SIZE B



DWG NO 2EZ0500492.15	Sheet 1 of 1	REV 2
--------------------------------	--------------	-----------------