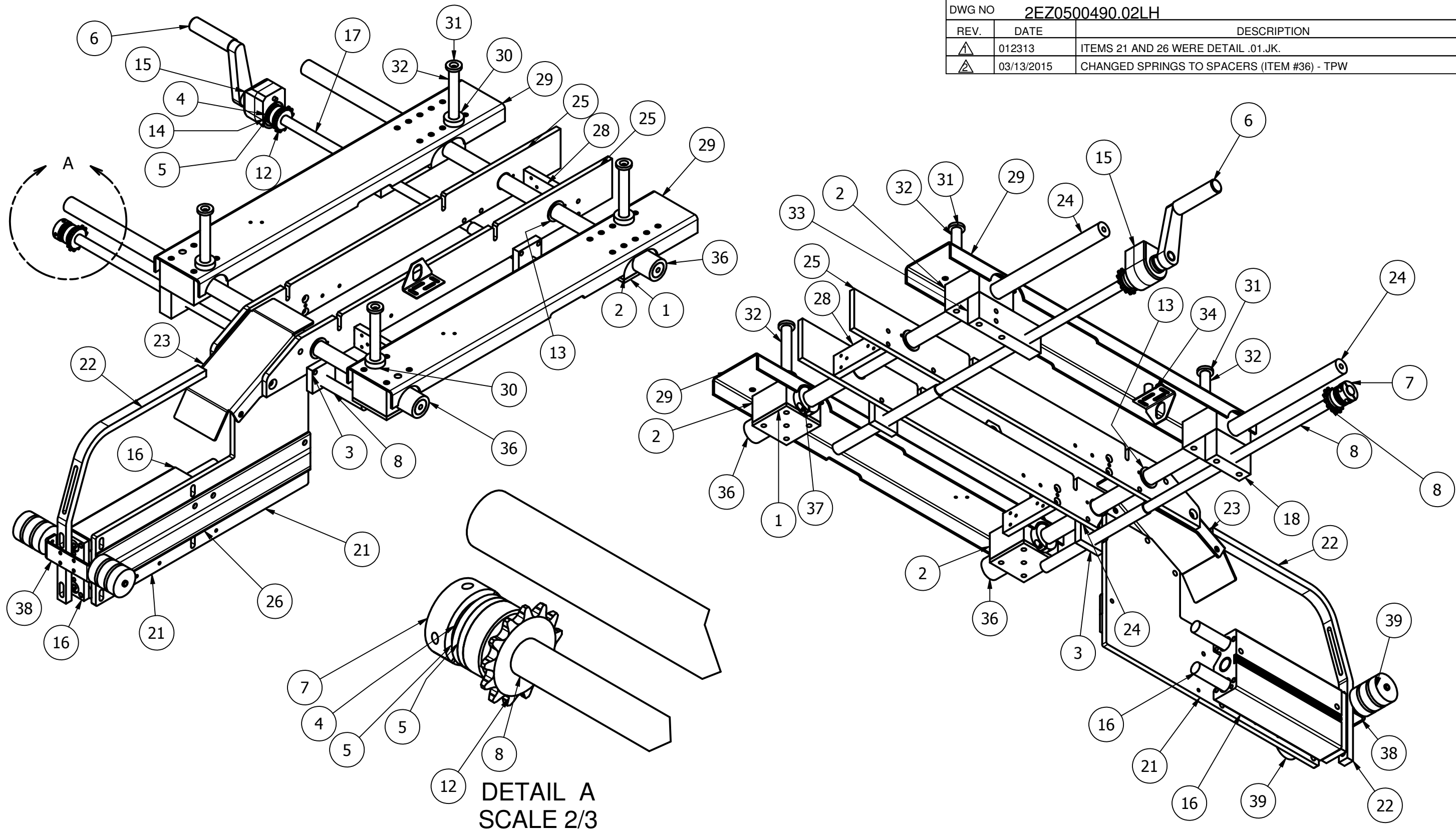


DWG NO		2EZ0500490.02LH
REV.	DATE	DESCRIPTION
△	012313	ITEMS 21 AND 26 WERE DETAIL .01.JK.
△	03/13/2015	CHANGED SPRINGS TO SPACERS (ITEM #36) - TPW



NOTE:
UNLESS OTHERWISE SPECIFIED BREAK ALL SHARP EDGES

DEVIATIONS FROM THIS DRAWING MUST BE
ADDRESSED WITH COMBI PACKAGING SYSTEMS LLC

MATERIAL SEE BOM	FINISH --	DESCRIPTION Holdr - Bott. 2" Tape Head LH 2EZSBP		
TOLERANCES (UNLESS OTHERWISE SPECIFIED) .000 = ± .003 .00 = ± .010 ANGLES = ± 1/2 FRACTION = ± 1/64	NOTE: THIS DRAWING IS NOT TO BE REPRODUCED OR COPIED WITHOUT CONSENT FROM COMBI PACKAGING SYSTEMS	DRAWN BY bmay	DRAFT DATE 8/25/2011	SCALE 1/6:1
		CHECKED BY	CHECK DATE	SIZE B
				DWG NO 2EZ0500490.02LH

