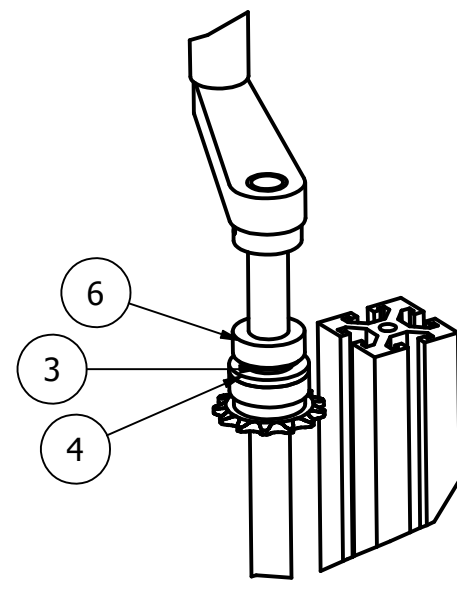
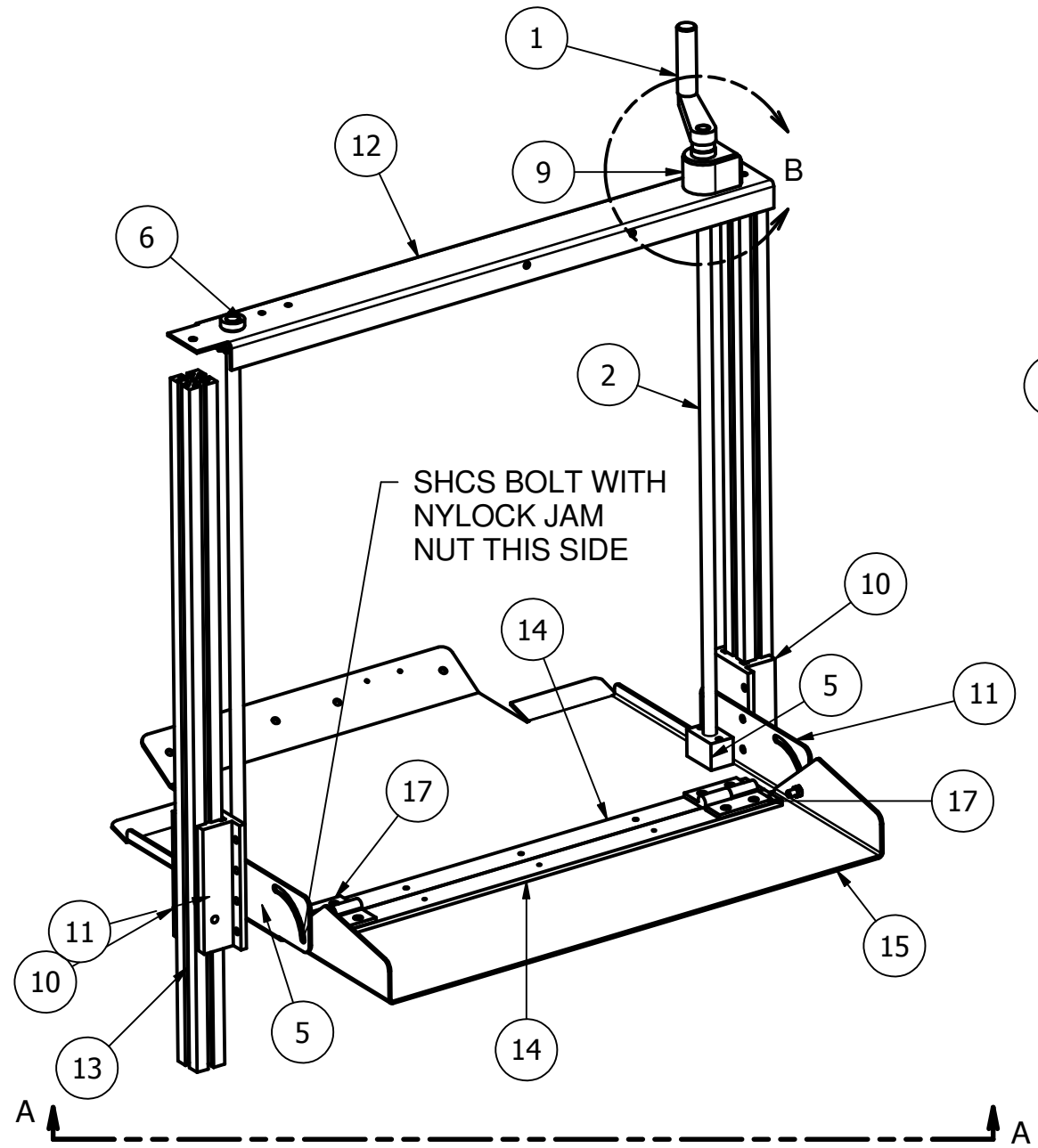
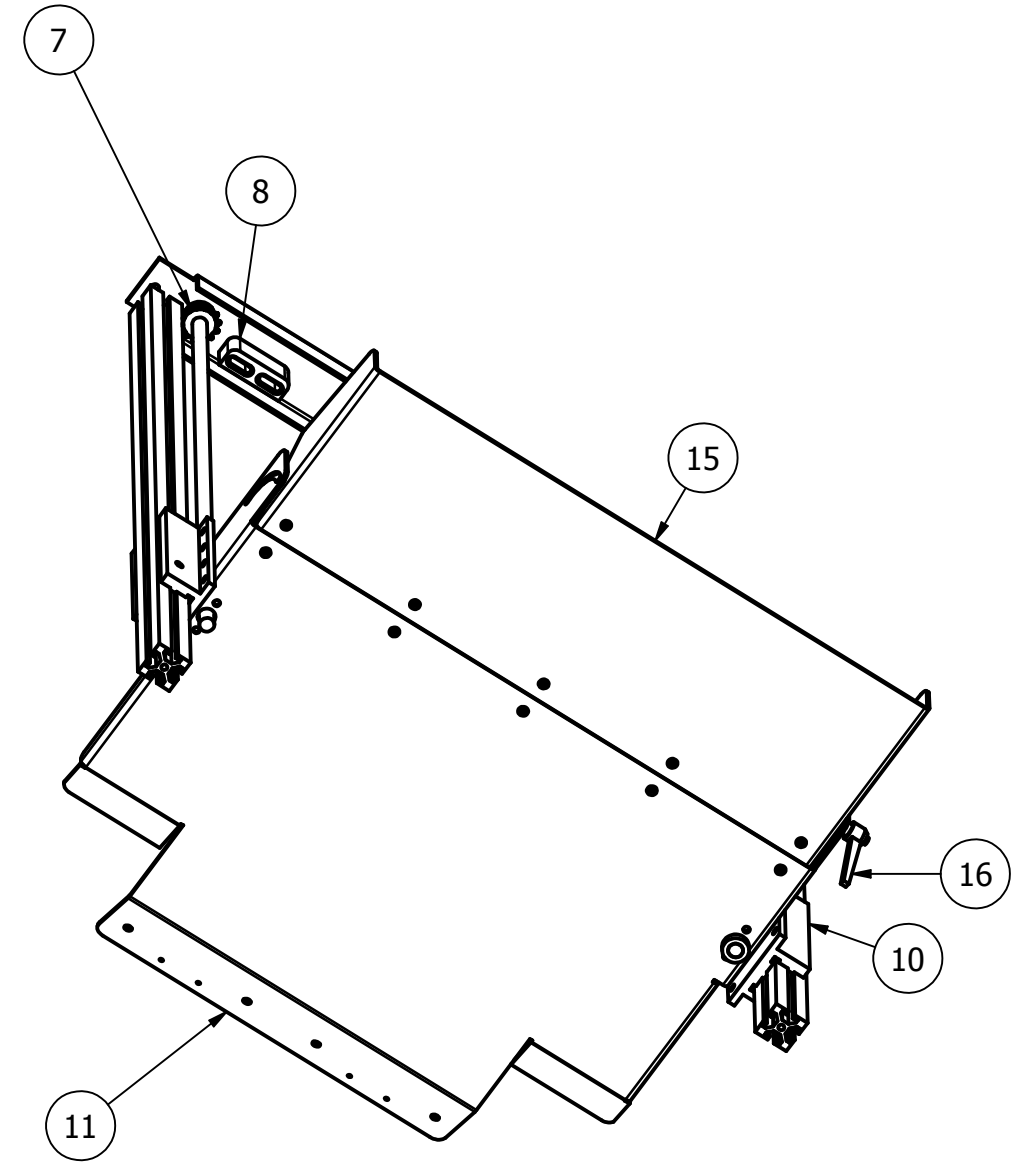


REVISION HISTORY			
REV	DATE	DESCRIPTION	ZONE
1	03/21/16	UPDATED ITEM 11 - DBW	



DETAIL B  
SCALE 1 / 3



VIEW A-A  
SCALE 1 / 8

LH VERSION SHOWN

NOTE:  
UNLESS OTHERWISE SPECIFIED BREAK ALL SHARP EDGES  
  
DEVIATIONS FROM THIS DRAWING MUST BE  
ADDRESSED WITH COMBI PACKAGING SYSTEMS LLC

<b>MATERIAL</b> SEE BOM	<b>FINISH</b>
TOLERANCES (UNLESS OTHERWISE SPECIFIED) .000 = ± .003    .00 = ± .010  ANGLES = ± 1/2 FRACTION = ± 1/64	NOTE: THIS DRAWING IS NOT TO BE REPRODUCED OR COPIED WITHOUT CONSENT FROM COMBI PACKAGING SYSTEMS

<b>DESCRIPTION</b> Guide - Case Top, LH/RH, 2EZHS		
DRAWN BY K. PERDUK	DRAFT DATE 07/10/08	SCALE 1/8
CHECKED BY	CHECK DATE	SIZE B

**Combi** PACKAGING SYSTEMS LLC

DWG NO 2EZ0500489.01	Sheet 1 of 1	REV 1
-------------------------	--------------	----------