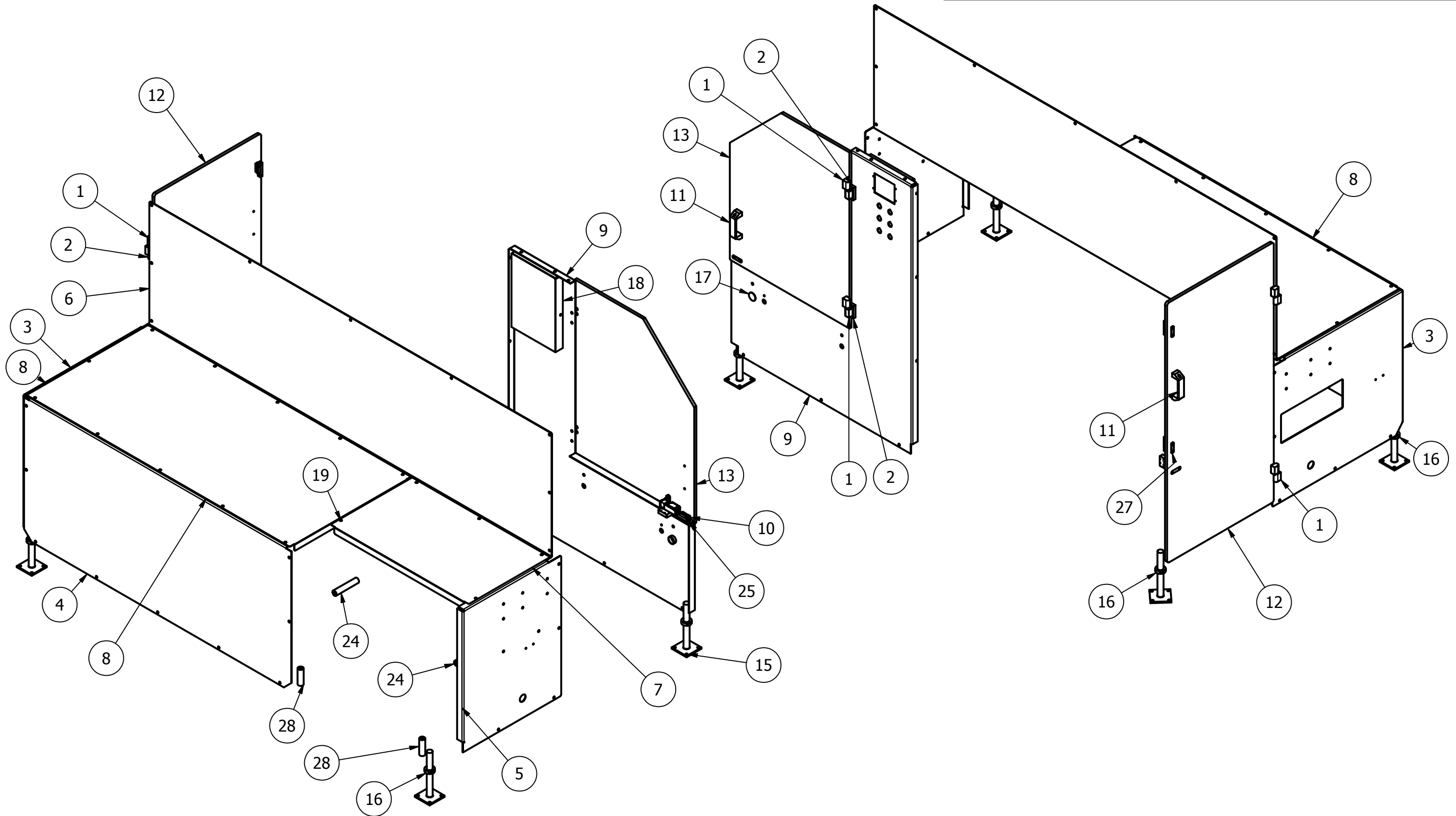


USE CLIP NUT (ITEM PA0000198) TO JOIN ALL SHEETMETAL TO SHEETMETAL CONNECTING POINTS.

DWG NO 2EZ0500205.01



MATERIAL SEE BOM	FINISH SEE BOM	DESCRIPTION Covers - 2EZSB/P/HS LH, Offset PwrMag			
TOLERANCES (UNLESS OTHERWISE SPECIFIED) .000 = ± .003 .00 = ± .010 ANGLES = ± 1/2 FRACTION = ± 1/64	NOTE: THIS DRAWING IS NOT TO BE REPRODUCED OR COPIED WITHOUT CONSENT FROM COMBI PACKAGING SYSTEMS	DRAWN BY TPW	DRAFT DATE 2/27/2015		SCALE 1/15:1
		CHECKED BY	CHECK DATE	SIZE B	DWG NO 2EZ0500205.01