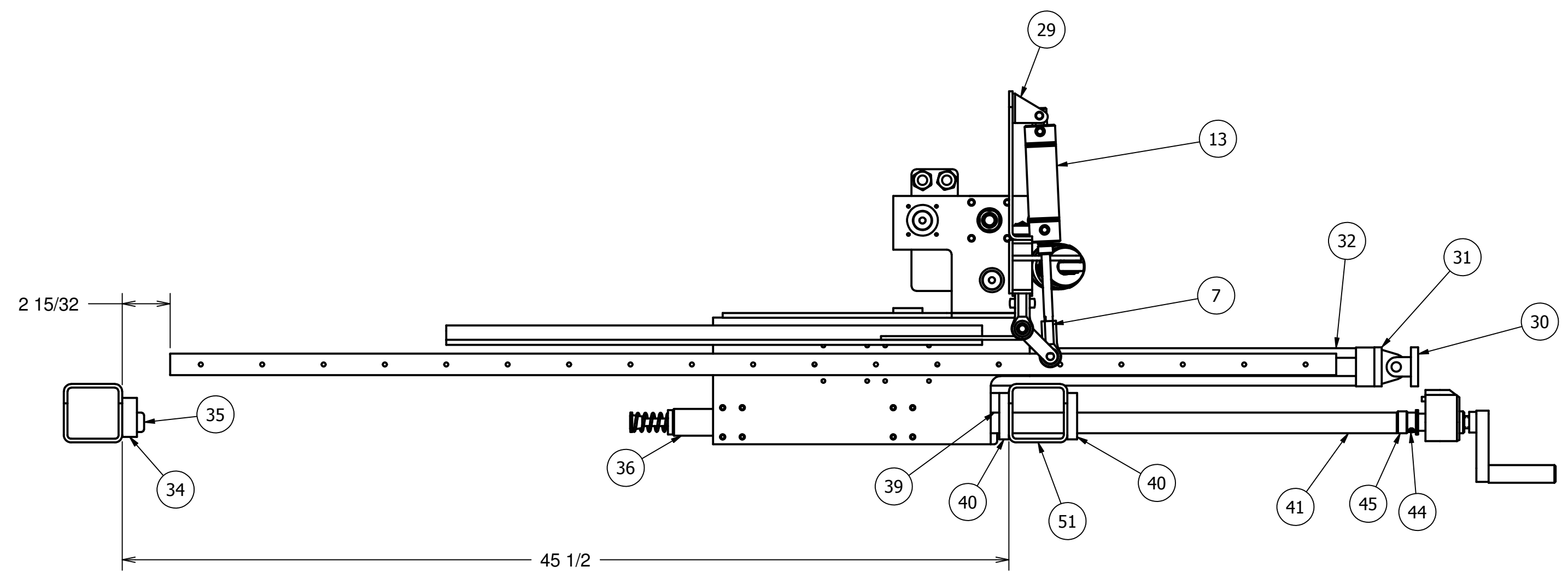
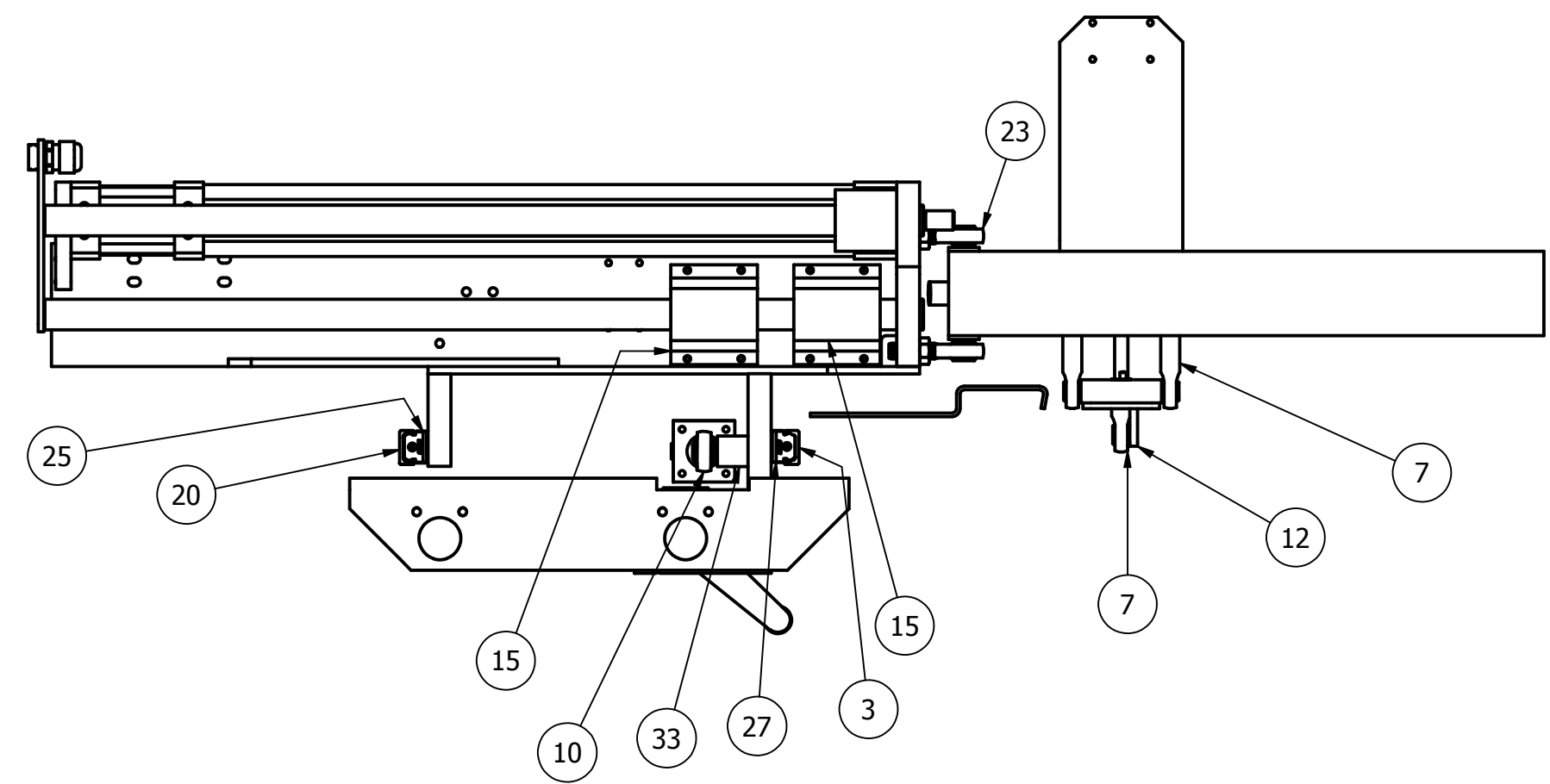


DETAIL A  
SCALE 1:2



NOTE: UNLESS OTHERWISE SPECIFIED BREAK ALL SHARP EDGES DEVIATIONS FROM THIS DRAWING MUST BE ADDRESSED WITH COMBI PACKAGING SYSTEMS LLC	MATERIAL SEE BOM	FINISH -	DESCRIPTION		Combi PACKAGING SYSTEMS LLC	DWG NO 2EZ0500201.72	Sheet 1 of 2	REV
	TOLERANCES (UNLESS OTHERWISE SPECIFIED): DIMENSIONS ± .002 ANGLES ± 1/2 FRACTION ± 1/64	THIS DRAWING IS NOT TO BE REPRODUCED OR COPIED WITHOUT CONSENT FROM COMBI PACKAGING SYSTEMS	DRAWN BY RSH	DRAFT DATE 09/22/15				
			CHECKED BY	CHECK DATE	SIZE D			