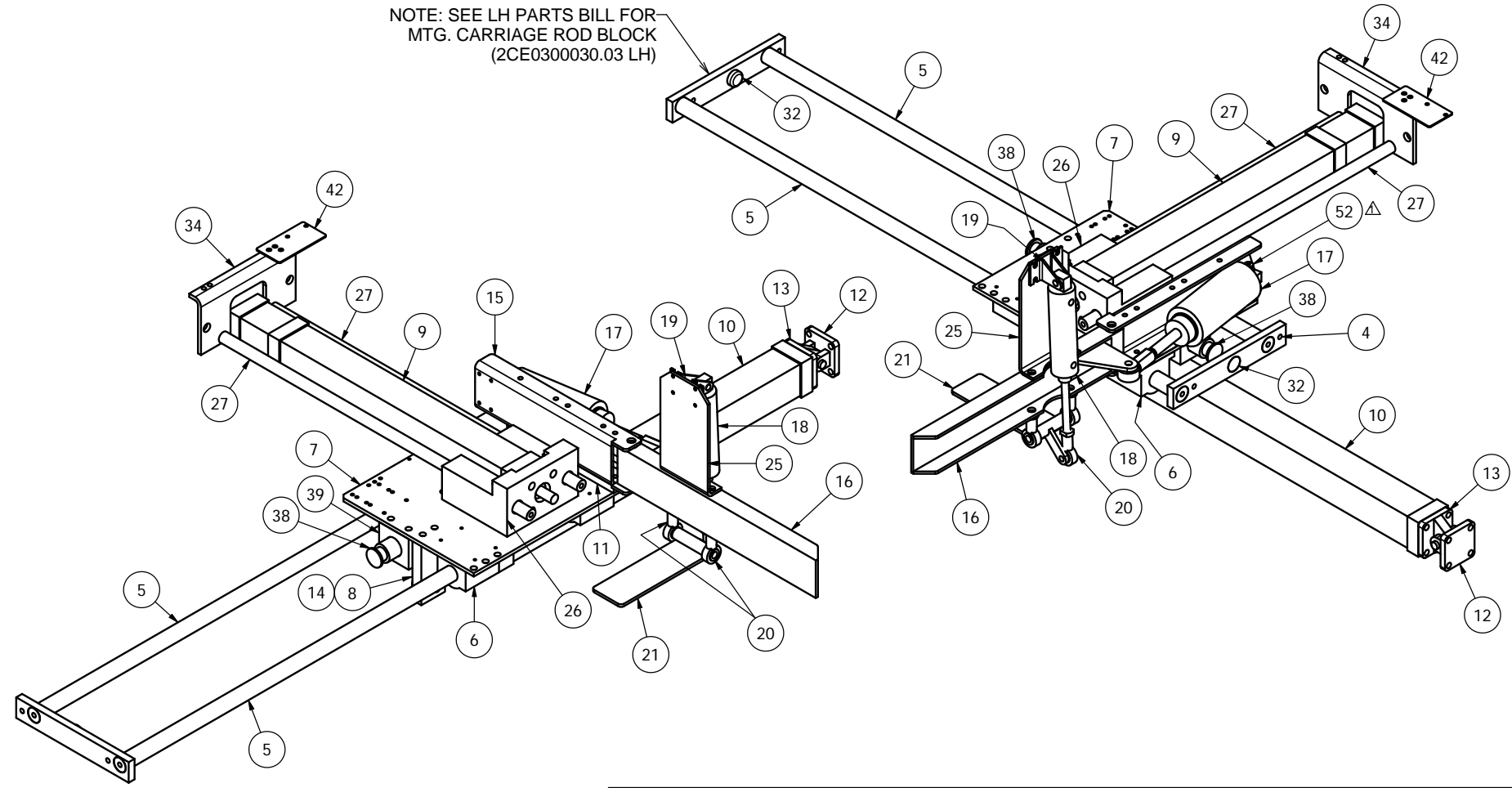


DWG NO		2CE0500265LH	
REV.	DATE	DESCRIPTION	
▲	4/30/08	ADDED SHOULDER BOLT, ITEM 52	JJS

NOTE: SEE LH PARTS BILL FOR  
MTG. CARRIAGE ROD BLOCK  
(2CE0300030.03 LH)



<b>MATERIAL</b> SEE BOM  <small>TOLERANCES (UNLESS OTHERWISE SPECIFIED) .000 = ± .003    .00 = ± .010 ANGLES = ± 1/2 FRACTION = ± 1/64</small>	<b>FINISH</b> SEE BOM  <small>THIS DRAWING IS NOT TO BE REPRODUCED OR COPIED WITHOUT CONSENT FROM COMBI PACKAGING SYSTEMS</small>	<b>DESCRIPTION</b> CARAG - E2500 LH, HD			
		<small>DRAWN BY</small> JJS	<small>DRAFT DATE</small> 4/14/2008	<small>SCALE</small> 1/6	
		<small>CHECKED BY</small>	<small>CHECK DATE</small>	<small>SIZE</small> B	