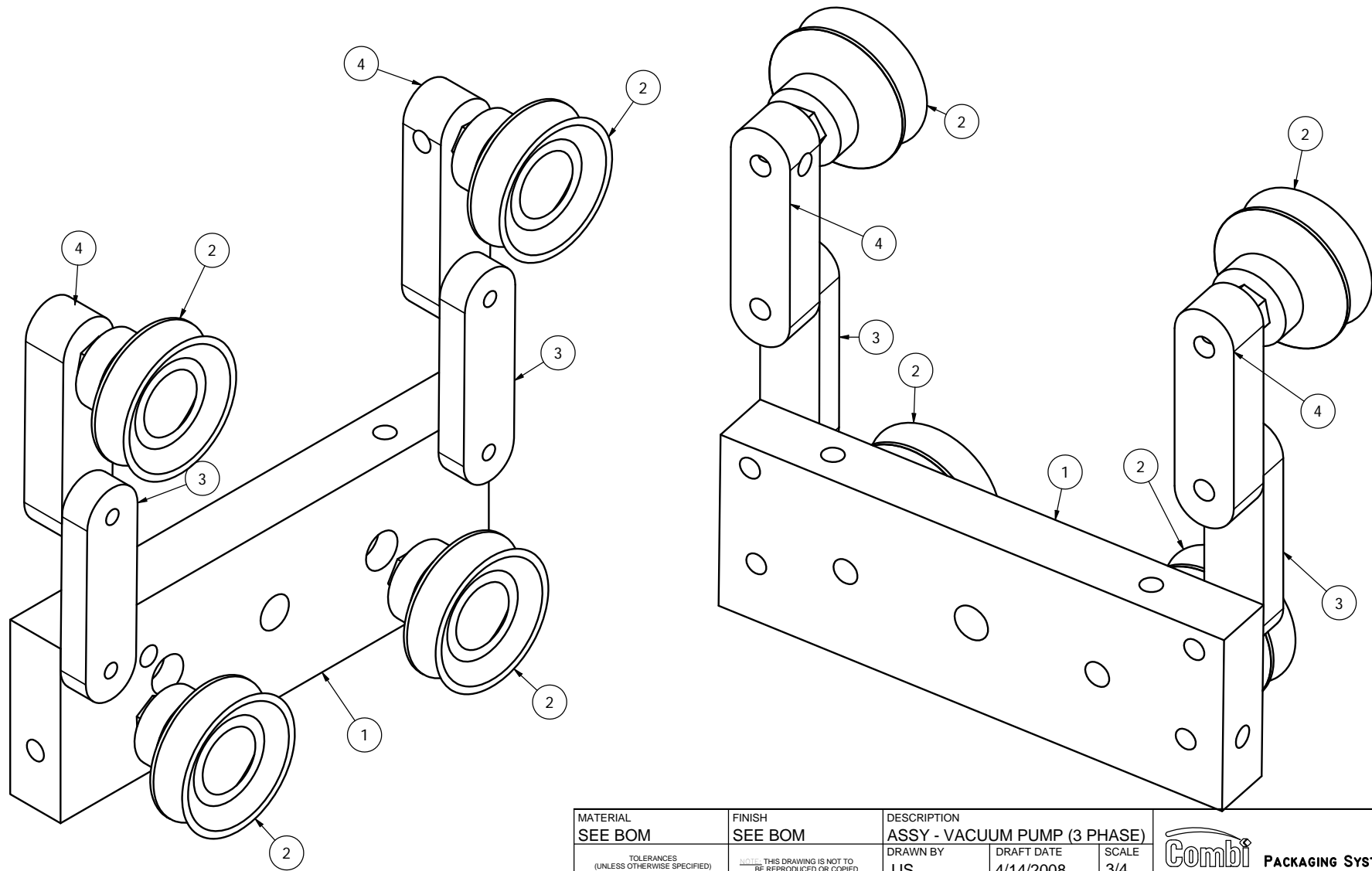



DWG NO 2CE0500264.03



<b>MATERIAL</b> <b>SEE BOM</b>	<b>FINISH</b> <b>SEE BOM</b>	<b>DESCRIPTION</b> <b>ASSY - VACUUM PUMP (3 PHASE)</b>			 <b>PACKAGING SYSTEMS LLC</b>
<small>TOLERANCES          (UNLESS OTHERWISE SPECIFIED)          .000 = ± .003    .00 = ± .010          ANGLES = ± 1/2          FRACTION = ± 1/64</small>	<small>THIS DRAWING IS NOT TO          BE REPRODUCED OR COPIED          WITHOUT CONSENT FROM          COMBI PACKAGING SYSTEMS</small>	<small>DRAWN BY</small> <b>JJS</b>	<small>DRAFT DATE</small> <b>4/14/2008</b>	<small>SCALE</small> <b>3/4</b>	
		<small>CHECKED BY</small>	<small>CHECK DATE</small>	<small>SIZE</small> <b>B</b>	<small>DWG NO</small> <b>2CE0500264.03</b>