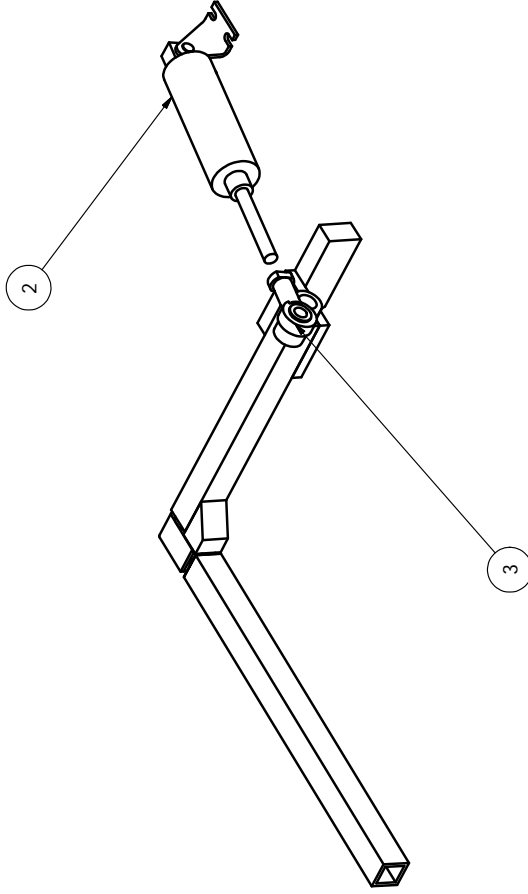


DWG NO 2CE0500180.05LH



NOTE:
UNLESS OTHERWISE SPECIFIED BREAK ALL SHARP EDGES
DEVIATIONS FROM THIS DRAWING MUST BE
ADDRESSED WITH COMBI PACKAGING SYSTEMS LLC

MATERIAL SEE BOM TOLERANCES (UNLESS OTHERWISE SPECIFIED) .000 = ± .003 .00 = ± .010 ANGLES = ± 1/2 FRACTION = ± 1/64	FINISH SEE BOM THIS DRAWING IS NOT TO BE REPRODUCED OR COPIED WITHOUT CONSENT FROM COMBI PACKAGING SYSTEMS	DESCRIPTION Pushr - Ez500 Offset Single DRAWN BY bmay CHECKED BY	PC SCALE 1 / 4 DRAFT DATE 6/24/2011 CHECK DATE SIZE B DWG NO 2CE0500180.05LH
--	---	---	--

