

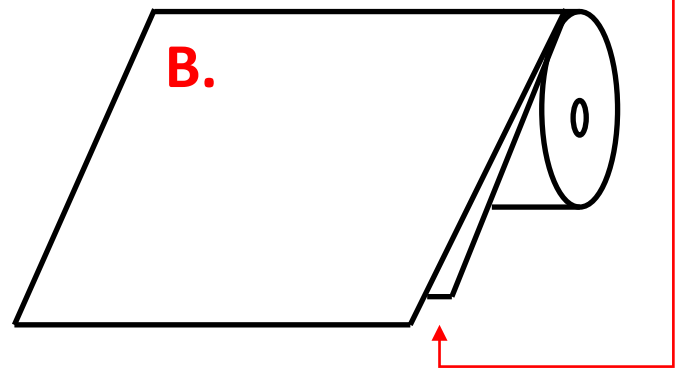
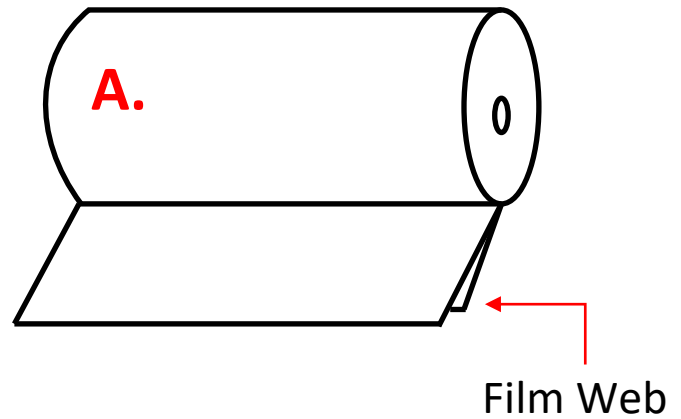
## STEP 1: Determine Roll Unwind

Film contains **two different** sides...  
One with a fold and one with 2 film webs.

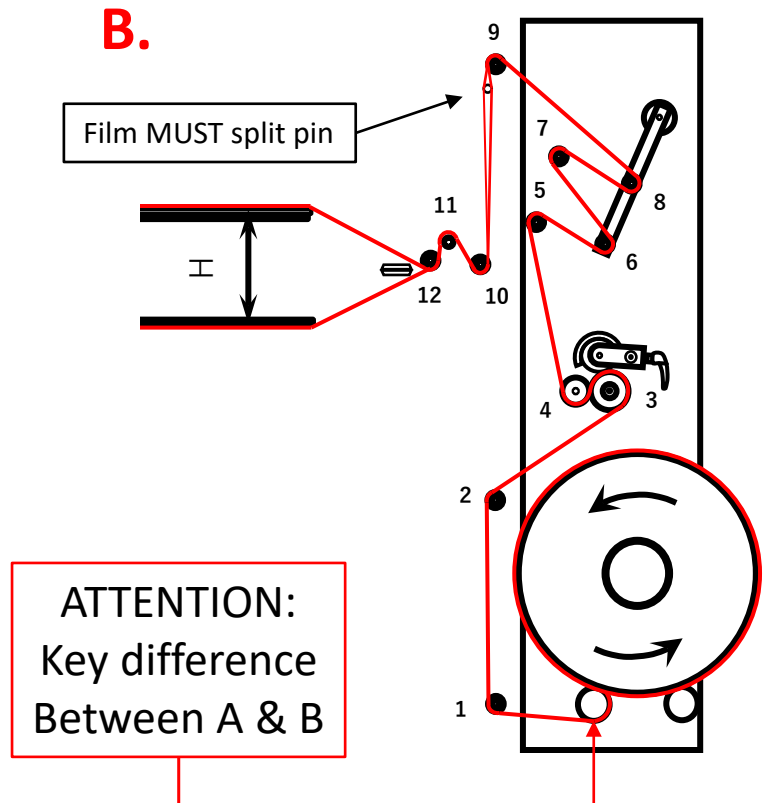
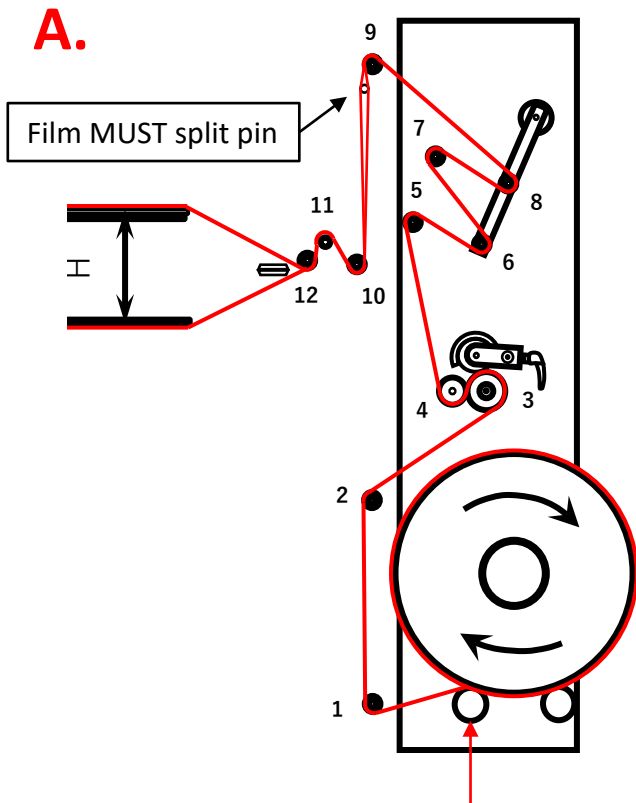
The side with film web will **ALWAYS** orient toward the **right side** of the loading mechanism.

Option "A" demonstrates film that unwinds from **bottom of the roll**. In this orientation follow option "A" in "Step 2".

Option "B" demonstrates film that unwinds from **top of the roll**. In this orientation follow option "B" in "Step 2".



## STEP 2: Determine film loading method based on first step



ATTENTION:  
Key difference  
Between A & B