

Quote Number : E000049354

Quote Date : 7/28/2020

VALID THROUGH: 10/26/2020

252 Swing Tamp Print & Apply, RH

Presented To:

Mike Ocando**Cornerstone Automation Systems LLC****10601 Clarence Dr.****Frisco TX 75033-2084****UNITED STATES**

Submitted By:

David Podwika**Sales Manager**

PRODUCT OVERVIEW



Printer Applicator Model 252

The IDT Model 252 Label Printer Applicator features the same modular design and robust construction companies have come to expect from the IDT Model 250, however it goes one step further with the integration of ID Technology's revolutionary Centerline-Modularity design philosophy. The goal of Centerline-Modularity is to remove as many adjustment points from a machine as possible, creating an easily identifiable reference point for default calibration. Additionally, the machine is built with easily hot-swappable modules for quick fault diagnosis and repair, allowing for greatest uptime and lowest running cost. Features include a touch screen User Interface for easy programming, a no adjustment 14" unwind module, a revolutionary plasma coated air assist tube that eliminates label sticking, and an optional service position Tamp Module.

Standard Features:

- Rugged base is fabricated for exact positioning and quick installation of application modules
- Touch screen offers improved visibility for more control
- Quickly switch between application module, preserving initial investment
- Sealed bearings for longer life
- Easy to integrate PLC's, scales and more
- Can be mounted in any orientation - top, bottom or side label application
- 1" stainless steel shaft for Unwind module
- Solid all-metal construction with ½" face plate

Optional Features: (Some options may be included in the quoted price)

- Left Hand Configuration
- Status Beacon
- System Status Output
- Zero Down Time Controls
- Service Position Tamp Module & Mounting
- Tamp-Jet Upgrade
- Low Label Alarm
- Tamp Home Sensor
- Height Compensation Control
- Application Modules: Tamp, Swing Tamp, Dual Panel, 3 Panel, Wipe-On, Corner Wrap

Equipment Warranty:

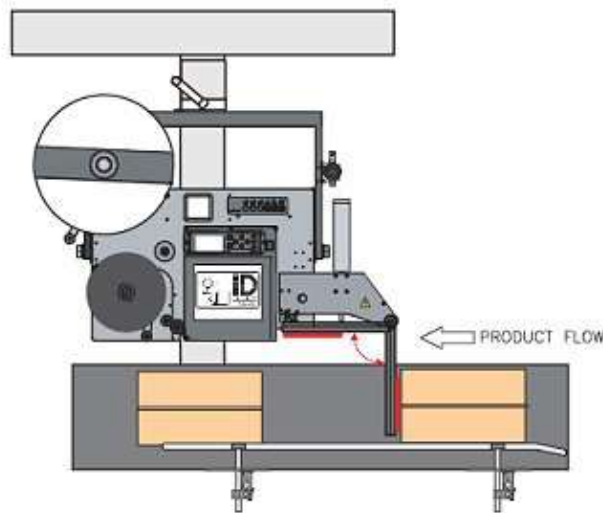
One year from date of shipment. ID Technology extends a limited twelve (12) month parts (except those under normal wear) and workmanship and ninety (90) days on-site labor warranty on all products. This warranty is contingent upon the use of ID Technology consumables/supplies (or ID Technology approved) and spare parts throughout the warranty period as well as installation being completed by an authorized ID Technology field service technician. The 90-day labor warranty excludes travel and living expenses.

APPLICATION OVERVIEW

The purpose of this system is to automate the labeling process. The main component of the system is the ID Technology Printer Applicator. A product handling system, supplied or existing, is responsible for presenting the product in a consistent manner to the applicator with adequate spacing to accommodate the labeling process.

A label format will be sent to the printer from an existing software package. A label will print and dispense onto the tamp pad. A product sensor will detect an oncoming product, signaling the swing arm to present the label to the front or rear of the product for blow-off application. The cylinder then will retract to the home position and the printer will issue the next label.

Drawing is conceptual and not to scale. Optional components may not be included



Project Specifications

	Details	Comments
Product Description	Corrugated cases	
Product Size/Weight	Various	
Location on Product	Leading Panel	- Distance from Bottom:1, Distance from Leading Edge: 1
Label Size	1 : 4 X 4	Square Label
Accuracy	+/- 1/8"	98% Consistency Exclusive of Product Variation
Production Rate	15	
Applicator Orientation	Reels Up	
Conveyor Specs	?W x ?L x ?H	