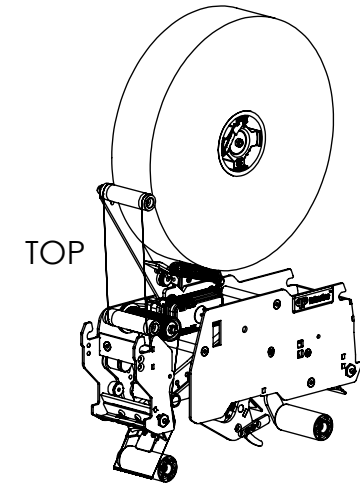
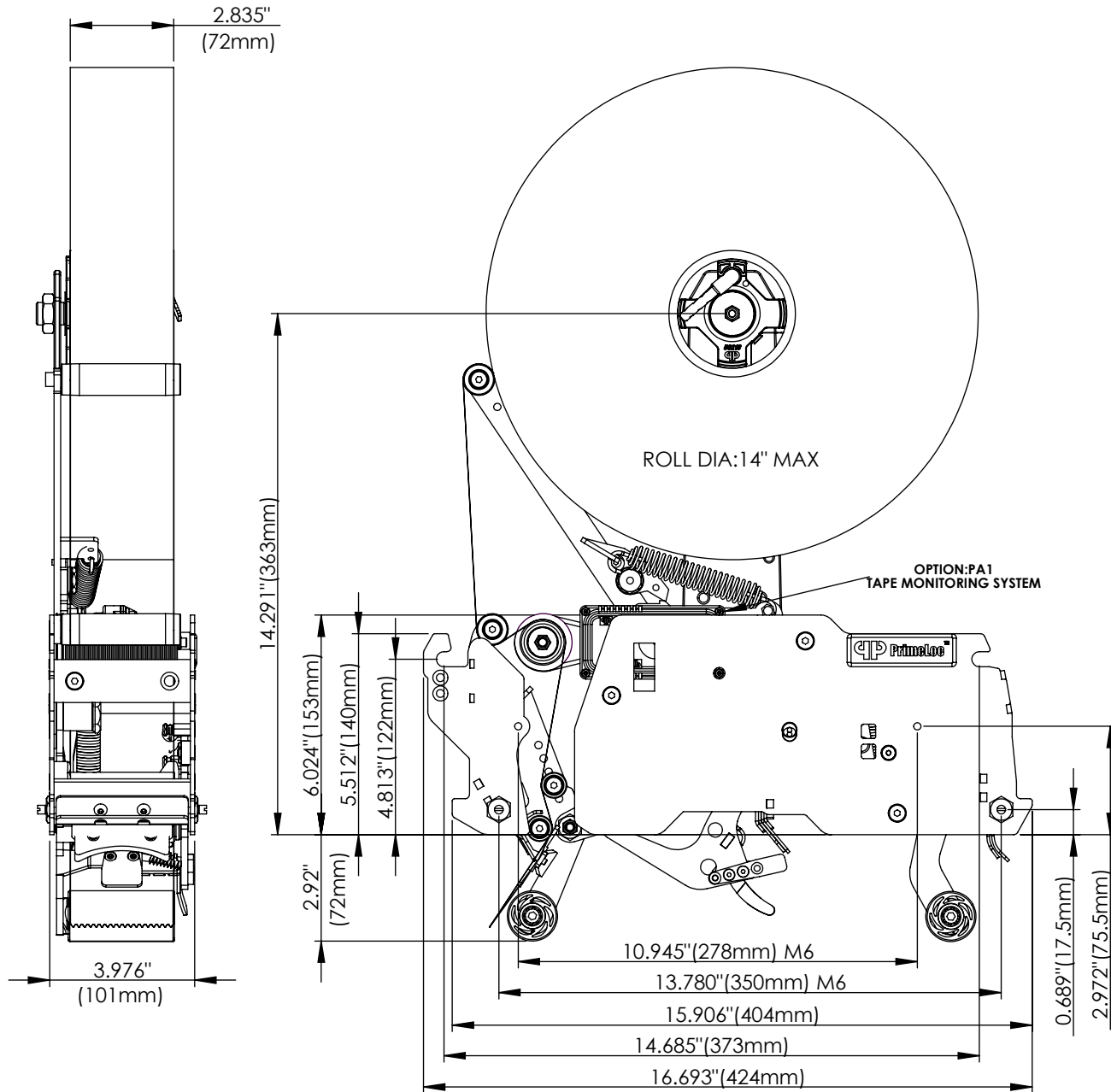


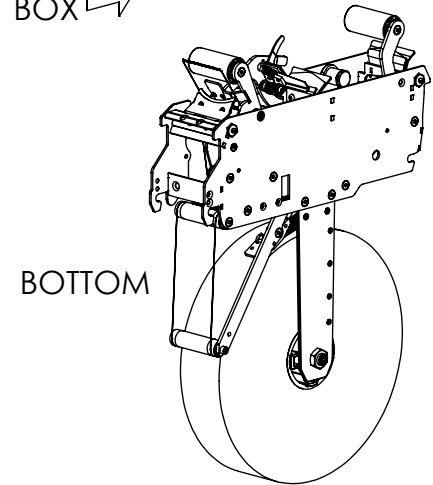
MODEL: C7315

TAPING DIRECTION/MOUNTING POSITION

1



BOX →



Order replacement parts here:

<https://shursealsecure.com/contact-shurseal/shurseal-part-order-form/>

*Each page contains a hyper-link which will take you to our on-line order form. Click on any link on any page.



PrimeLoc
Packaging Inc.

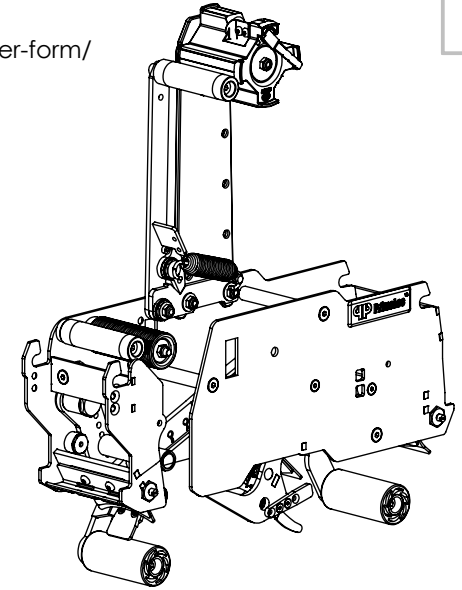
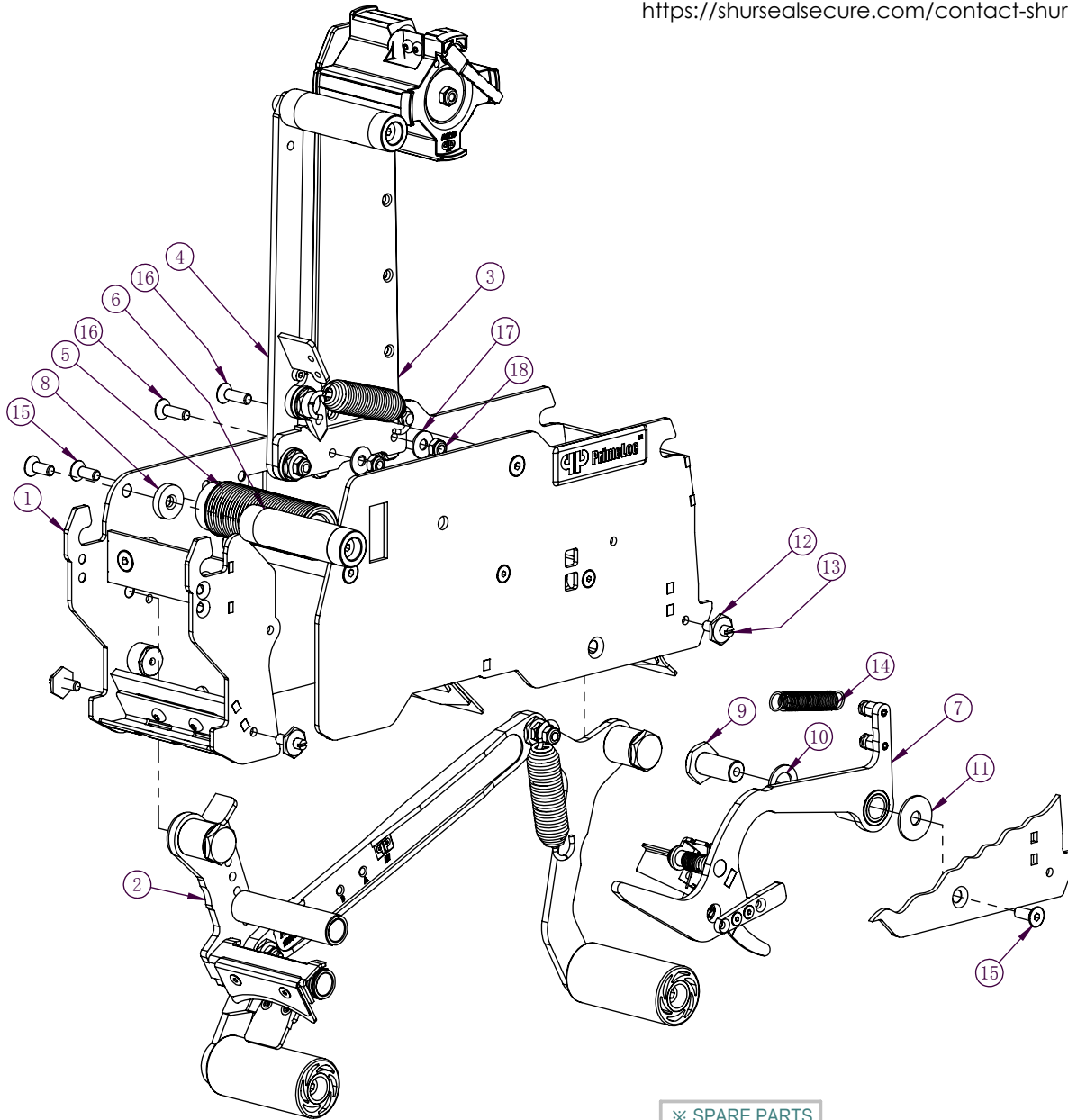
TITLE
C7315 - FOOT PRINT
3"-LH-LD-STD.WELD

DWG #: C7315 REV. 03

MODEL:

2

Order replacement parts here:
<https://shursealsecure.com/contact-shurseal/shurseal-part-order-form/>



ITEM.	QTY.	PART.	DESCRIPTION	REV.
18	2	01085	901719 NUT,NYLOCK, M6x1.0	01
17	2	01103	WASHER, M6 X 16MM DIA	01
16	2	01053	HEX SOCKET CSK SCREW,M6 X 20	01
15	3	01052	SOCKET CSK SCREW M6 X 16	01
14	1	02024	901730 SPRING, TENSION 11MM DIA x 40.8	01
13	4	10489	STUD SCREW/ 20MM	01
12	4	10478	SPACER - 2.3 MM	01
11	1	10637	SS WASHER	01
10	1	10636	902305 WASHER	01
9	1	10621	902258 SHAFT, 12.70 x 31.0	01
8	1	10729	SPACER - 4.70 MM	01
7	1	51018	CUTTING CAM ASSY. 3" LH	01
6	1	50370	901871 ROLLER ASSY. 83.5 MM	01
5	1	50330	901906 CLUTCH ROLLER ASSY, 3" LH	01
4	1	50224	901903 DANCER ARM ASSY. 3" LH	01
3	1	50437	TAPE ROLL MAST ASSY. 3" LH	01
2	1	50433	CORE MECHANISM LH 3", LD	02
1	1	50396	FRAME ASSY.3" LH, LD	02

※ SPARE PARTS

THE INFORMATION CONTAINED IN THIS DRAWING IS THE SOLE PROPERTY OF PRIMELoc PACKAGING INC .
 ANY REPRODUCTION IN PART OR AS A WHOLE WITHOUT THE WRITTEN PERMISSION IS PROHIBITED.



MATERIAL: SEE PARTS' LIST

DIMENSIONS ARE IN MILLIMETER
 DO NOT SCALE DRAWING
 THIRD ANGLE PROJECTION
 (3D SOLID DRAWING)

TOLERANCES: .XX .12
 X .25
 ANGUL.: 1
 DEBUR SHARP CORNERS AND
 EDGES 0.5 MAX

TITLE

MODEL: C7315
S.S 3" LH LD WELD

SIZE:

REF.DWG #:

DRAWN BY:

YP

FINISH:

COLOR:

DATE(Y-M-D): 2019-09-01

APPROVED BY:

JL

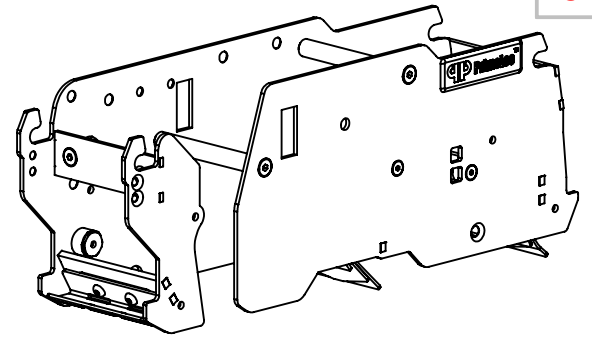
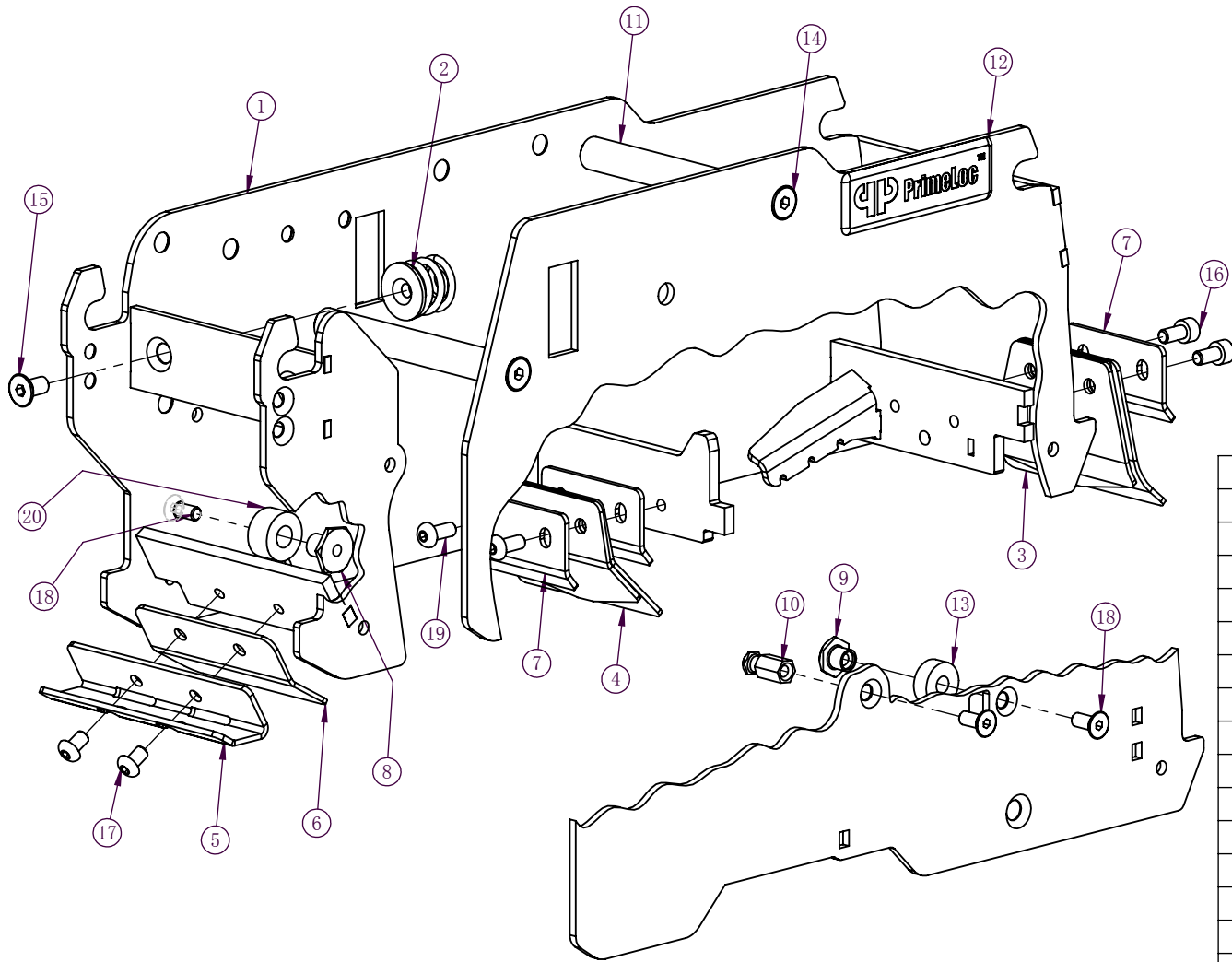
DWG #: 50707

REV. 02

REV.	DESCRIPTION	DATE
02		
	REVISIONS	

MODEL:

3



ITEM.	QTY.	PART.	DESCRIPTION	REV.
20	1	03066	PU, STOP, YELLOE	01
19	2	01013	SCREW, HSBHCS, M5 X 12	01
18	3	01047	SOCKET CSK SCREW M5 X 12	01
17	2	01011	SCREW, HSBHCS, M5 X 8	01
16	2	01025	SOCK. CAP SCREW M5 X 10	01
15	1	01051	SOCKET CSK SCREW, M6 X 12	01
14	4	01052	SOCKET CSK SCREW M6 X 16	01
13	1	03006	PU, STOP, BLACK	01
12	1	03026	LABEL STICKER	01
11	2	10395	SPACER, BODY, 3"	01
10	1	10707	PIN, ANCHOR 19.0 MM	01
9	1	10041	PIN, STOP	01
8	1	11038	STOP NUT	01
7	3	10703	WIPER SS CLAMPING PLATE SET	01
6	1	10383	SKIP PLATE	01
5	1	10849	CLAMP PLATE 3", LD	01
4	1	50324	3" MID WIPER SET	01
3	1	50315	3" REAR WIPER SET	01
2	1	50429	BOOSTER SPRING	01
1	1	50366	WELDED FRAME 3" RH, LD	01

Order replacement parts here:
<https://shursealsecure.com/contact-shurseal/shurseal-part-order-form/>

※ SPARE PARTS

THE INFORMATION CONTAINED IN THIS DRAWING IS THE SOLE PROPERTY OF PRIMELoc PACKAGING INC . ANY REPRODUCTION IN PART OR AS A WHOLE WITHOUT THE WRITTEN PERMISSION IS PROHIBITED.

MATERIAL: SEE PARTS' LIST

DIMENSIONS ARE IN MILLIMETER
 DO NOT SCALE DRAWING
 THIRD ANGLE PROJECTION
 (3D SOLID DRAWING)

TOLERANCES: .XX .12
 X .25
 ANGUL.: 1
 DEBUR SHARP CORNERS AND
 EDGES 0.5 MAX

SIZE:

REF.DWG #:

DRAWN BY: YP

FINISH:

COLOR:

DATE(Y-M-D): 2019-09-01

APPROVED BY: JL



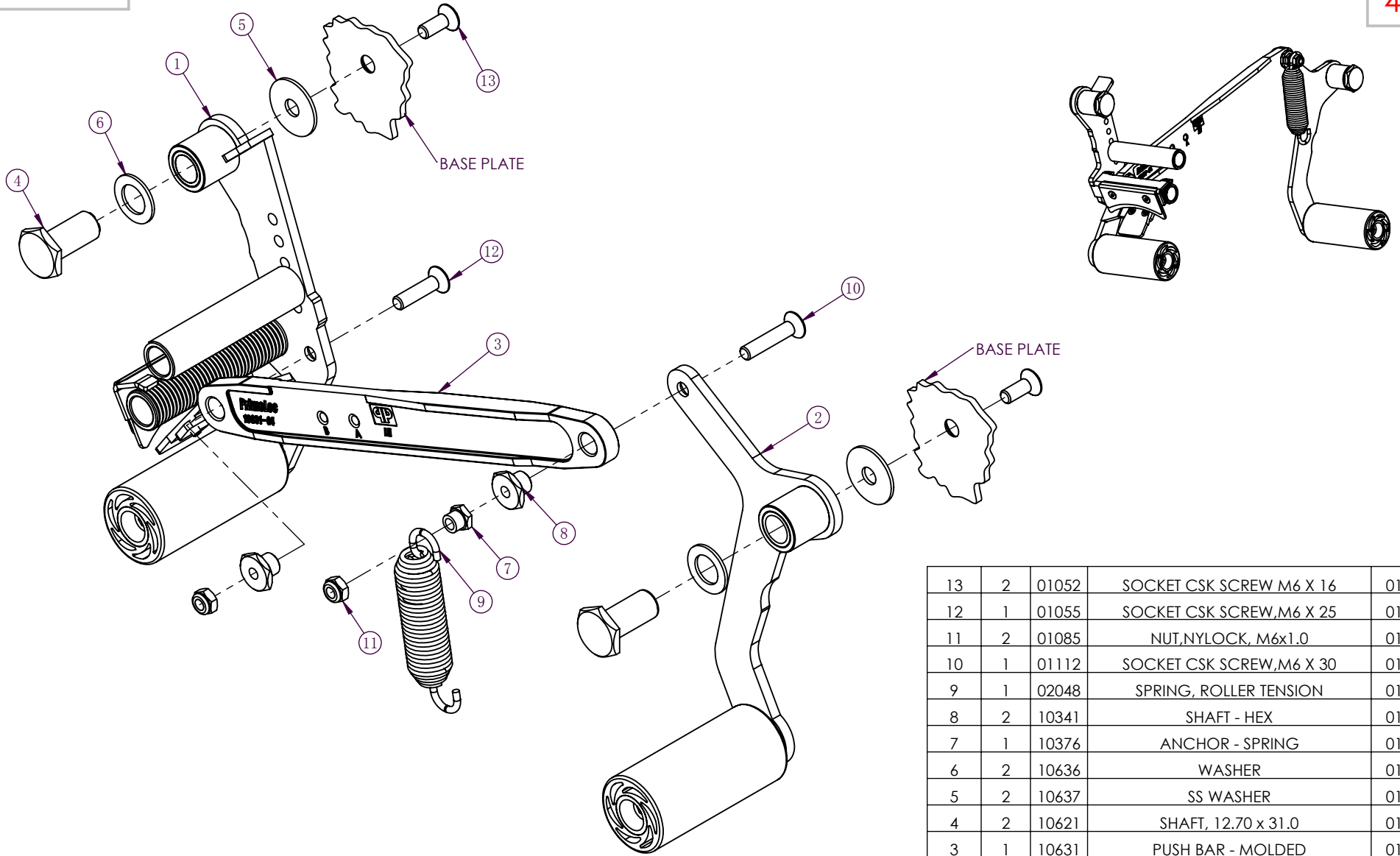
**MODEL C7315
 FRAME ASSY.3" LH, LD**

DWG #: 50396 REV. 02

REV.	DESCRIPTION	DATE
02		
	REVISIONS	

MODEL:

4



ITEM.	QTY.	PART.	DESCRIPTION	REV.
13	2	01052	SOCKET CSK SCREW M6 X 16	01
12	1	01055	SOCKET CSK SCREW,M6 X 25	01
11	2	01085	NUT,NYLOCK, M6x1.0	01
10	1	01112	SOCKET CSK SCREW,M6 X 30	01
9	1	02048	SPRING, ROLLER TENSION	01
8	2	10341	SHAFT - HEX	01
7	1	10376	ANCHOR - SPRING	01
6	2	10636	WASHER	01
5	2	10637	SS WASHER	01
4	2	10621	SHAFT, 12.70 x 31.0	01
3	1	10631	PUSH BAR - MOLDED	01
2	1	50232	REAR ROLLER ARM ASSY. 3" LH	01
1	1	50227	FRONT ROLLER ARM ASSY. 3" LH	01
ITEM.	QTY.	PART.	DESCRIPTION	REV.

Order replacement parts here:
<https://shursealsecure.com/contact-shurseal/shurseal-part-order-form/>

✳ SPARE PARTS

THE INFORMATION CONTAINED IN THIS DRAWING IS THE SOLE PROPERTY OF PRIMELoc PACKAGING INC . ANY REPRODUCTION IN PART OR AS A WHOLE WITHOUT THE WRITTEN PERMISSION IS PROHIBITED.

MATERIAL: SEE PARTS' LIST

DIMENSIONS ARE IN MILLIMETER
 DO NOT SCALE DRAWING
 THIRD ANGLE PROJECTION
 (3D SOLID DRAWING)

TOLERANCES: .XX .12
 X .25
 ANGUL.: 1
 DEBUR SHARP CORNERS AND
 EDGES 0.5 MAX



TITLE
CORE MECHANISM LH 3", LD

SIZE:

REF.DWG #:

DRAWN BY: YP

FINISH:

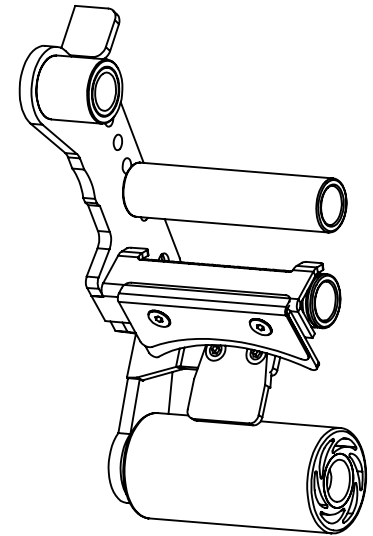
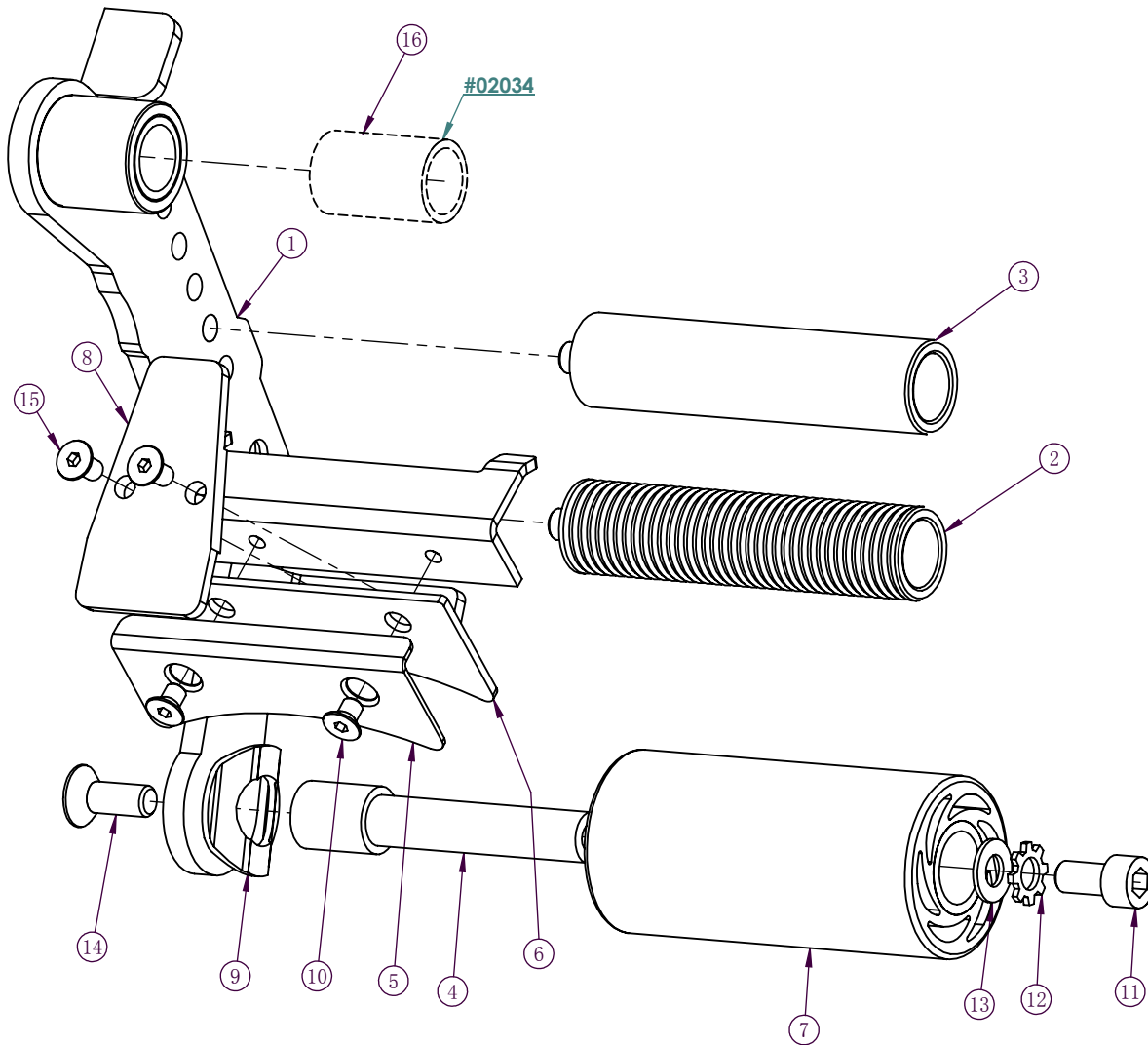
COLOR:

DATE(Y-M-D): 2019-09-01

APPROVED BY: JL

DWG #: 50433 REV. 02

REV.	DESCRIPTION	DATE
02		
	REVISIONS	



ITEM.	QTY.	PART.	DESCRIPTION	REV.
16	1	02034	BUSHING, 1/2x5/8x1"	01
15	2	01039	SOCKET CSK SCREW M4 X 8	01
14	1	01052	SOCKET CSK SCREW M6 X 16	01
13	1	01071	WASHER, M6 X 12MM DIA	01
12	1	01075	WASHER, EXT. TOOTH LOCK, M6	01
11	1	01032	SOCK. CAP SCREW M6 X 12	01
10	2	01038	SOCKET CSK SCREW M4 X 6	01
9	1	03015	DRAG WASHER	02
8	1	03016	TAPE SUPPORT	02
7	1	03020	SPIRAL ROLLER, 3"	01
6	1	10412	GUIDE, TAPE PRE-FORM	02
5	1	10755	3" CLAMP	01
4	1	10398	SHAFT 3"	01
3	1	50371	ROLLER ASSY. 77MM	01
2	1	50372	KNURLED ROLLER ASSY. 77MM	01
1	1	50226	FRONT ROLLER ARM 3" LH LD	01

Order replacement parts here:
<https://shursealsecure.com/contact-shurseal/shurseal-part-order-form/>

✕ SPARE PARTS

THE INFORMATION CONTAINED IN THIS DRAWING IS THE SOLE PROPERTY OF PRIMELoc PACKAGING INC . ANY REPRODUCTION IN PART OR AS A WHOLE WITHOUT THE WRITTEN PERMISSION IS PROHIBITED.

MATERIAL: SEE PARTS' LIST

DIMENSIONS ARE IN MILLIMETER
 DO NOT SCALE DRAWING
 THIRD ANGLE PROJECTION
 (3D SOLID DRAWING)

TOLERANCES: .XX .12
 X .25
 ANGUL.: 1
 DEBUR SHARP CORNERS AND
 EDGES 0.5 MAX

SIZE:

REF.DWG #:

DRAWN BY: YP

FINISH:

COLOR:

DATE(Y-M-D): 2019-09-01

APPROVED BY: JL



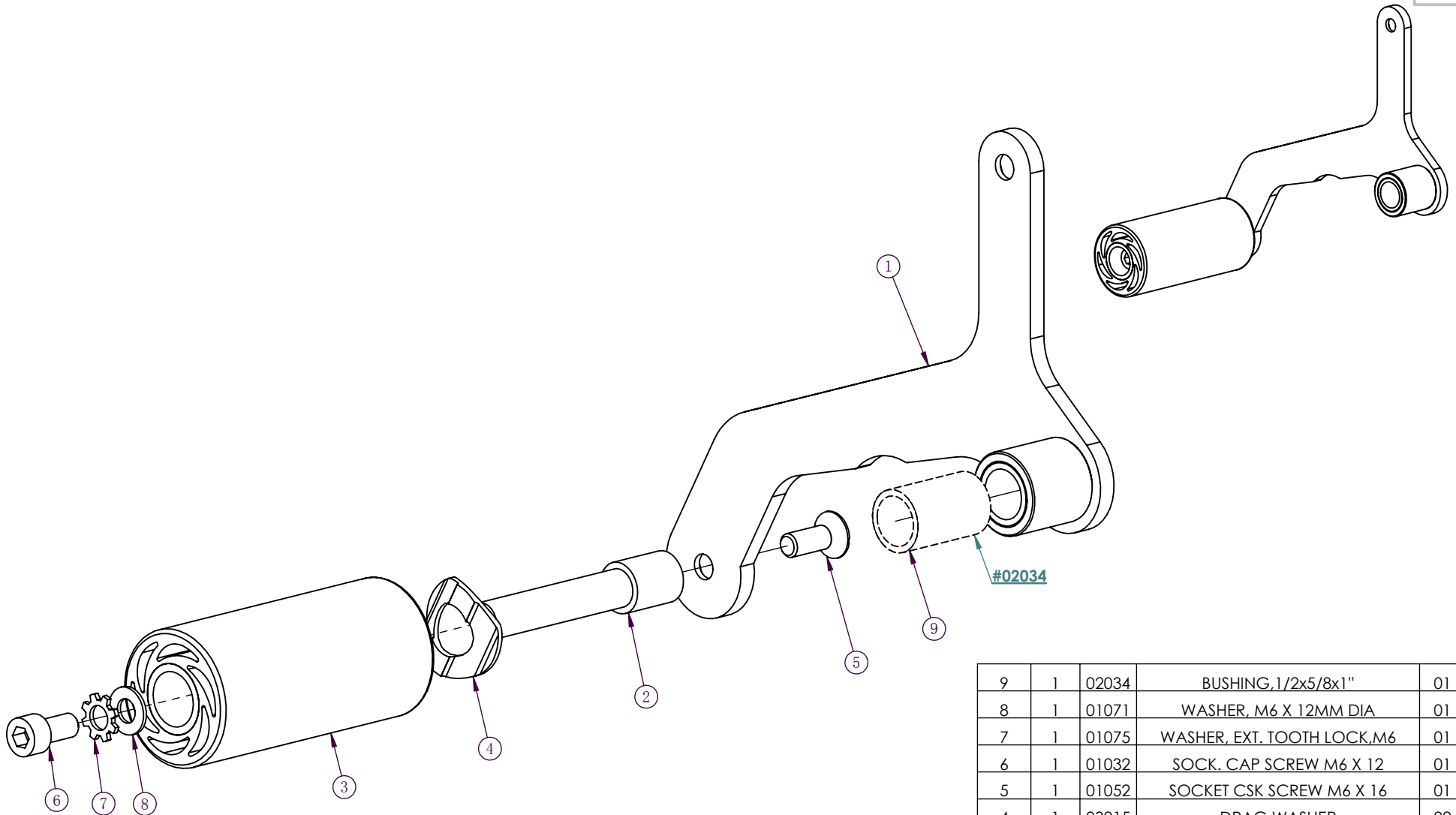
TITLE
FRONT ROLLER ARM ASSY. 3" LH

DWG #: 50227 REV. 02

REV.	DESCRIPTION	DATE
02		
	REVISIONS	

MODEL: -

6



ITEM.	QTY.	PART.	DESCRIPTION	REV.
9	1	02034	BUSHING, 1/2x5/8x1"	01
8	1	01071	WASHER, M6 X 12MM DIA	01
7	1	01075	WASHER, EXT. TOOTH LOCK, M6	01
6	1	01032	SOCK. CAP SCREW M6 X 12	01
5	1	01052	SOCKET CSK SCREW M6 X 16	01
4	1	03015	DRAG WASHER	02
3	1	03020	SPIRAL ROLLER, 3"	01
2	1	10398	SHAFT 3"	01
1	1	50193	REAR ROLLER ARM LH LD	01

Order replacement parts here:
<https://shursealsecure.com/contact-shurseal/shurseal-part-order-form/>

✕ SPARE PARTS

THE INFORMATION CONTAINED IN THIS DRAWING IS THE SOLE PROPERTY OF PRIMELoc PACKAGING INC . ANY REPRODUCTION IN PART OR AS A WHOLE WITHOUT THE WRITTEN PERMISSION IS PROHIBITED.



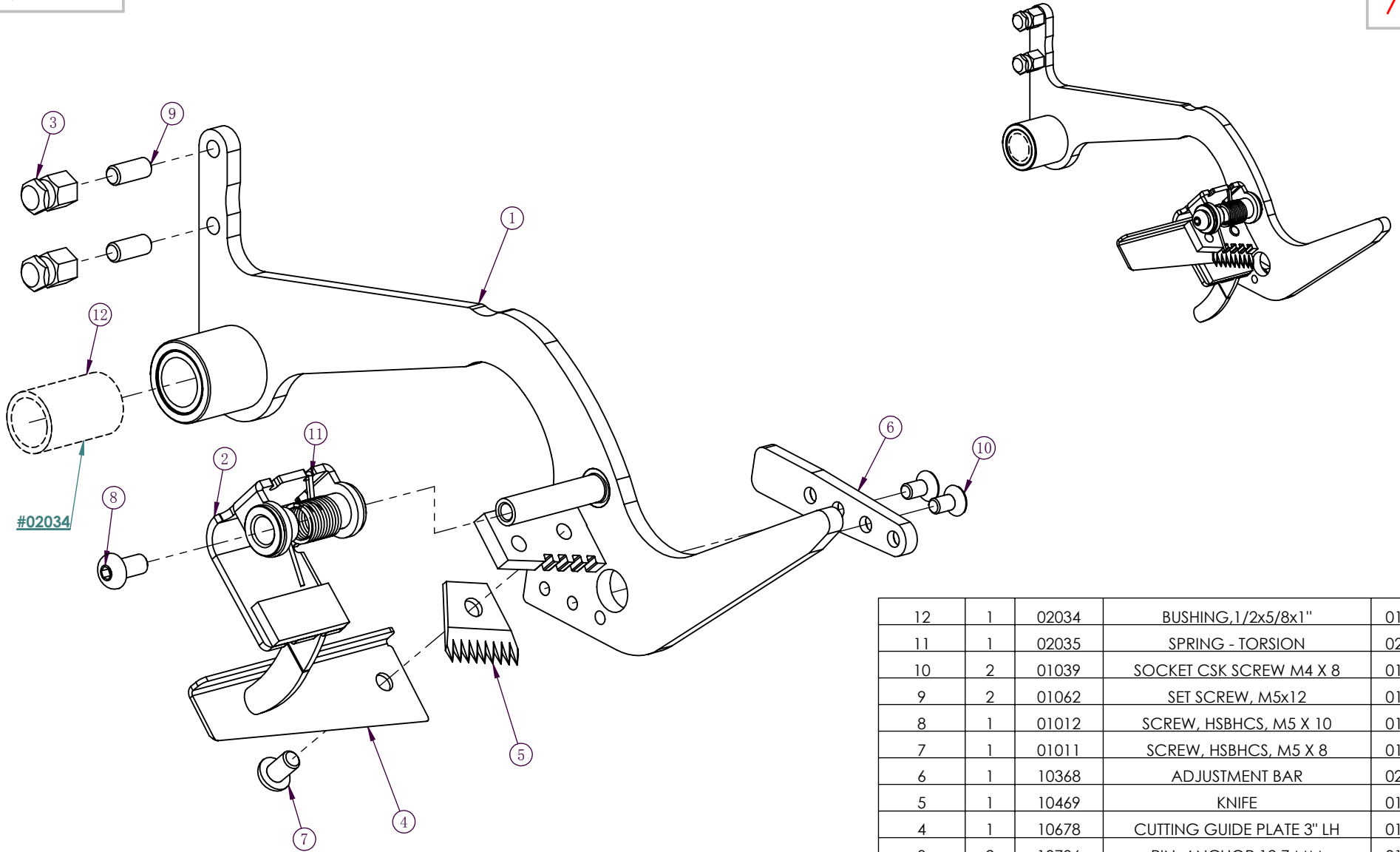
REV.	DESCRIPTION	DATE
02		
	REVISIONS	

MATERIAL: SEE PARTS' LIST	DIMENSIONS ARE IN MILLIMETER DO NOT SCALE DRAWING THIRD ANGLE PROJECTION (3D SOLID DRAWING)	TOLERANCES: .XX .12 .X .25 ANGUL.: 1
SIZE:	REF.DWG #:	DEBUR SHARP CORNERS AND EDGES 0.5 MAX
FINISH:	COLOR:	DRAWN BY: YP
	DATE(Y-M-D): 2019-09-01	APPROVED BY: JL

TITLE
REAR ROLLER ARM ASSY. 3" LH
 DWG #: 50232 REV. 02

MODEL:

7



ITEM NO.	QTY.	PART NO.	DESCRIPTION	REV.
12	1	02034	BUSHING, 1/2x5/8x1"	01
11	1	02035	SPRING - TORSION	02
10	2	01039	SOCKET CSK SCREW M4 X 8	01
9	2	01062	SET SCREW, M5x12	01
8	1	01012	SCREW, HSBHCS, M5 X 10	01
7	1	01011	SCREW, HSBHCS, M5 X 8	01
6	1	10368	ADJUSTMENT BAR	02
5	1	10469	KNIFE	01
4	1	10678	CUTTING GUIDE PLATE 3" LH	01
3	2	10706	PIN, ANCHOR 12.7 MM	01
2	1	50664	KNIFE GUARD ASSY.LH	01
1	1	51014	CUTTING CAM WELD ASSY, LH	01

Order replacement parts here:
<https://shursealsecure.com/contact-shurseal/shurseal-part-order-form/>

✕ SPARE PARTS

THE INFORMATION CONTAINED IN THIS DRAWING IS THE SOLE PROPERTY OF PRIMELoc PACKAGING INC . ANY REPRODUCTION IN PART OR AS A WHOLE WITHOUT THE WRITTEN PERMISSION IS PROHIBITED.

MATERIAL: SEE PARTS' LIST

DIMENSIONS ARE IN MILLIMETER
 DO NOT SCALE DRAWING
 THIRD ANGLE PROJECTION
 (3D SOLID DRAWING)

TOLERANCES: .XX .12
 .X .25
 ANGUL.: 1
 DEBUR SHARP CORNERS AND
 EDGES 0.5 MAX

SIZE:

REF.DWG #:

DRAWN BY: YP

FINISH:

COLOR:

DATE(Y-M-D): 2019-09-01

APPROVED BY: JL



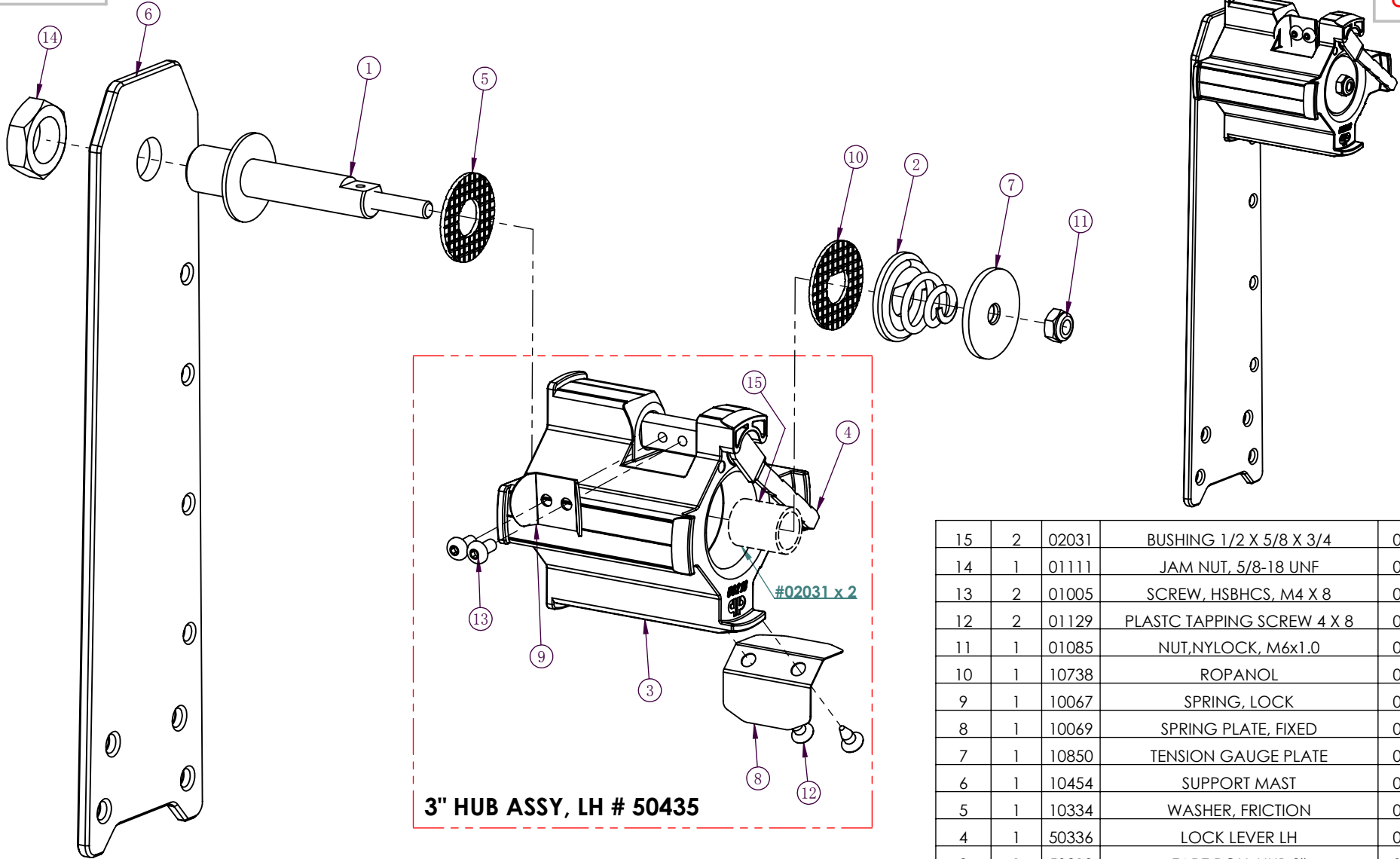
TITLE
CUTTING CAM ASSY. 3" LH

DWG #: 51018 REV. 02

REV.	DESCRIPTION	DATE
02		
	REVISIONS	

MODEL:

8



3" HUB ASSY, LH # 50435

ITEM.	QTY.	PART.	DESCRIPTION	REV.
15	2	02031	BUSHING 1/2 X 5/8 X 3/4	01
14	1	01111	JAM NUT, 5/8-18 UNF	01
13	2	01005	SCREW, HSBHCS, M4 X 8	01
12	2	01129	PLASTC TAPPING SCREW 4 X 8	01
11	1	01085	NUT,NYLOCK, M6x1.0	01
10	1	10738	ROPANOL	01
9	1	10067	SPRING, LOCK	02
8	1	10069	SPRING PLATE, FIXED	01
7	1	10850	TENSION GAUGE PLATE	01
6	1	10454	SUPPORT MAST	01
5	1	10334	WASHER, FRICTION	02
4	1	50336	LOCK LEVER LH	01
3	1	50213	TAPE ROLL HUB 3"	01
2	1	50358	SPRING - CONICAL, HUB	01
1	1	50411	SCREW, ADJUSTMENT 3",ASSY	01

Order replacement parts here:
<https://shursealsecure.com/contact-shurseal/shurseal-part-order-form/>

✖ SPARE PARTS

THE INFORMATION CONTAINED IN THIS DRAWING IS THE SOLE PROPERTY OF PRIMELoc PACKAGING INC . ANY REPRODUCTION IN PART OR AS A WHOLE WITHOUT THE WRITTEN PERMISSION IS PROHIBITED.

MATERIAL: SEE PARTS' LIST

DIMENSIONS ARE IN MILLIMETER
 DO NOT SCALE DRAWING
 THIRD ANGLE PROJECTION
 (3D SOLID DRAWING)

TOLERANCES: .XX ±.12
 .X ±.25
 ANGUL.: ±1°
 DEBUR SHARP CORNERS AND
 EDGES 0.5 MAX

SIZE:

REF.DWG #:

DRAWN BY: YP

FINISH:

COLOR:

DATE(Y-M-D): 2019-09-01

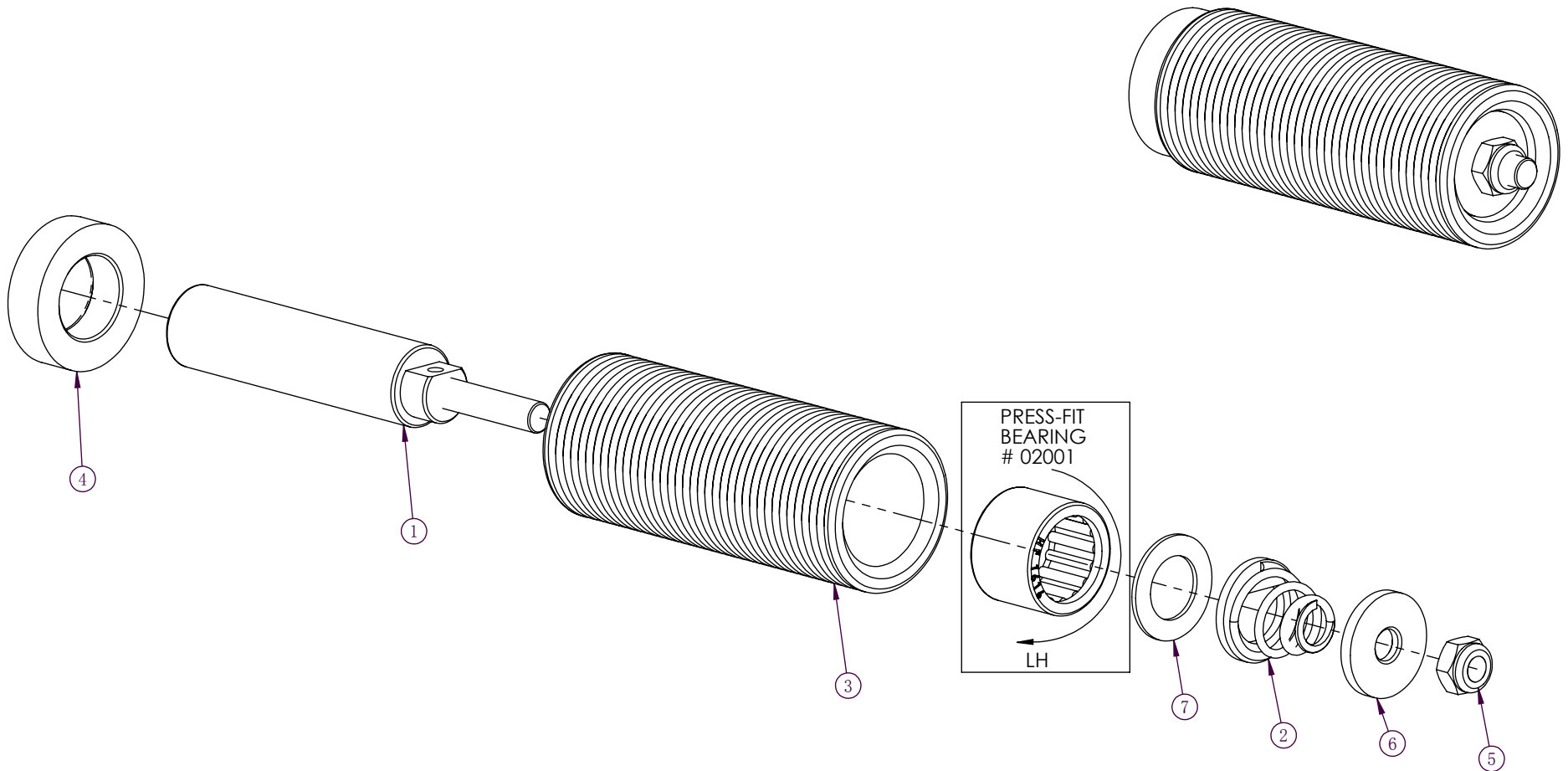
APPROVED BY: JL



TITLE
TAPE ROLL MAST ASSY. 3" LH

DWG #: 50437 REV. 02

REV.	DESCRIPTION	DATE
02		
	REVISIONS	



ITEM.	QTY.	PART.	DESCRIPTION	REV.
7	1	10862	WASHER, FRICTION	01
6	1	10851	TENSION GAUGE PLATE	01
5	1	01085	NUT, NYLOCK, M6x1.0	01
4	1	10364	SPACER, CLUTCH ROLLER	01
3	1	50561	CLUTCH ROLLER 3" LH	01
2	1	50357	SPRING - CONICAL, CLUTCH	01
1	1	50413	3" ONE-WAY CLUTCH ROLLER SHAFT	01

Order replacement parts here:
<https://shursealsecure.com/contact-shurseal/shurseal-part-order-form/>

✕ SPARE PARTS

THE INFORMATION CONTAINED IN THIS DRAWING IS THE SOLE PROPERTY OF PRIMELOC PACKAGING INC. ANY REPRODUCTION IN PART OR AS A WHOLE WITHOUT THE WRITTEN PERMISSION IS PROHIBITED.

MATERIAL: SEE PARTS' LIST

DIMENSIONS ARE IN MILLIMETER
 DO NOT SCALE DRAWING
 THIRD ANGLE PROJECTION
 (3D SOLID DRAWING)

TOLERANCES: .XX .12
 .X .25
 ANGUL.: 1
 DEBUR SHARP CORNERS AND
 EDGES 0.5 MAX

SIZE:

REF.DWG #:

DRAWN BY: YP

FINISH:

COLOR:

DATE(Y-M-D): 2019-09-01

APPROVED BY: JL



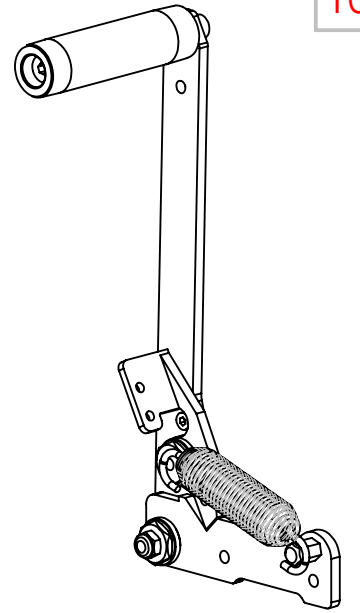
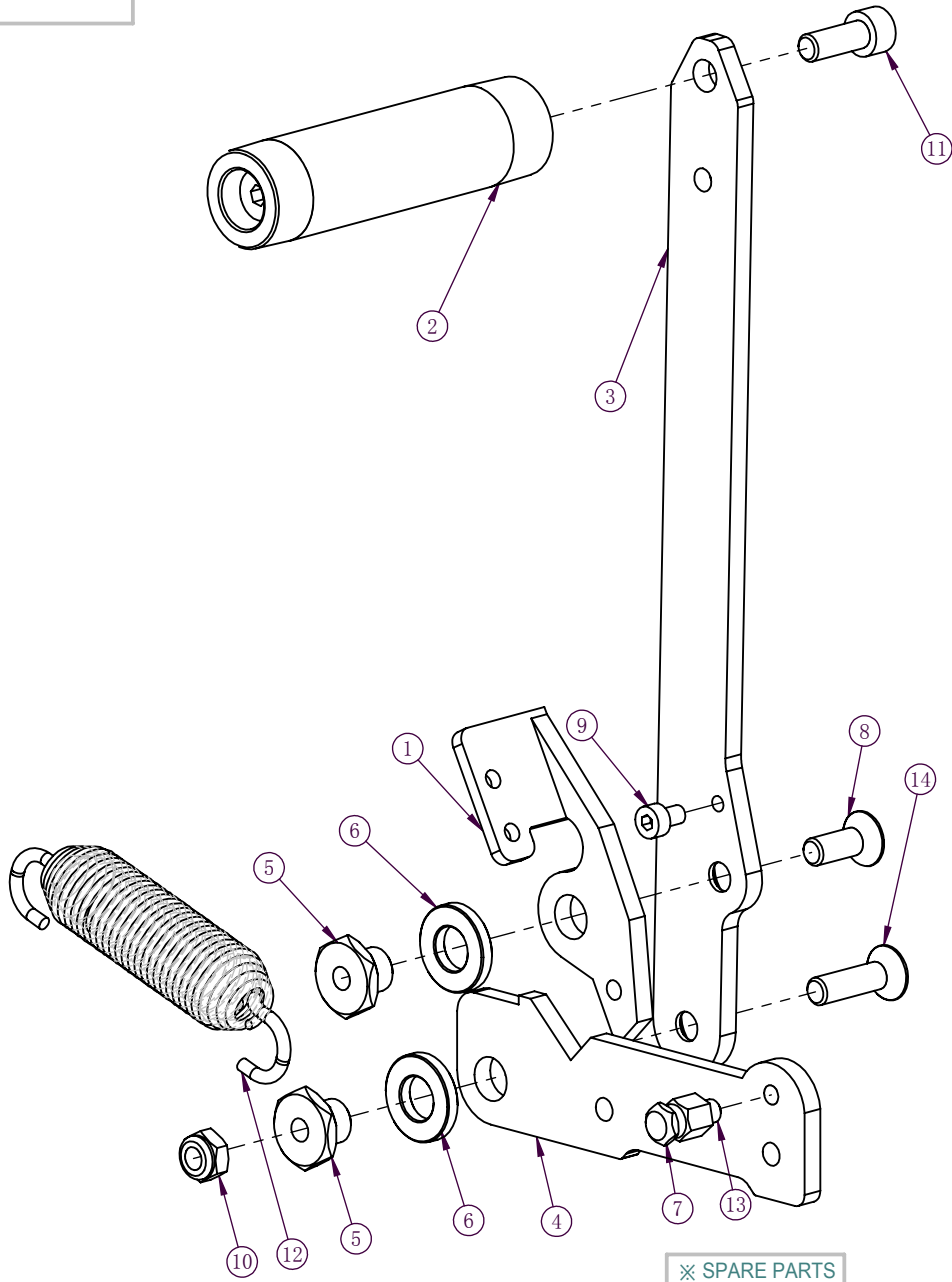
TITLE
CLUTCH ROLLER ASSY, 3" LH

DWG #: 50330 REV. 02

REV.	DESCRIPTION	DATE
02		
	REVISIONS	

MODEL:

10



Order replacement parts here:
<https://shursealsecure.com/contact-shurseal/shurseal-part-order-form/>

ITEM.	QTY.	PART.	DESCRIPTION	REV.
14	1	01167	SOCKET CSK SCREW,M6 X 22	01
13	1	01062	SET SCREW, M5x12	01
12	1	02048	SPRING, ROLLER TENSION	01
11	1	01034	SOCK. CAP SCREW M6 X 16	01
10	1	01085	NUT,NYLOCK, M6x1.0	01
9	1	01100	SOCK. CAP SCREW M4 X 6.0	01
8	1	01052	SOCKET CSK SCREW M6 X 16	01
7	1	10706	PIN, ANCHOR 12.7 MM	01
6	2	10342	PLASTIC SPACER	01
5	2	10341	SHAFT - HEX	01
4	1	10828	LATCH BAR	01
3	1	10661	DANCER ARM, LH	01
2	1	50370	ROLLER ASSY. 83.5 MM	01
1	1	50282	LATCH, LH	01

※ SPARE PARTS

THE INFORMATION CONTAINED IN THIS DRAWING IS THE SOLE PROPERTY OF PRIMELoc PACKAGING INC . ANY REPRODUCTION IN PART OR AS A WHOLE WITHOUT THE WRITTEN PERMISSION IS PROHIBITED.

MATERIAL: SEE PARTS' LIST

DIMENSIONS ARE IN MILLIMETER
 DO NOT SCALE DRAWING
 THIRD ANGLE PROJECTION
 (3D SOLID DRAWING)

TOLERANCES: .XX .12
 X .25
 ANGUL.: 1
 DEBUR SHARP CORNERS AND
 EDGES 0.5 MAX

SIZE:

REF.DWG #:

DRAWN BY:

TITLE



**OPTION: 5603
 DANCER ARM ASSY. 3" LH**

FINISH:

COLOR:

DATE(Y-M-D):

2019-09-01

APPROVED BY:

JL

DWG #:

50224

REV. 02

REV.	DESCRIPTION	DATE
02		
	REVISIONS	