

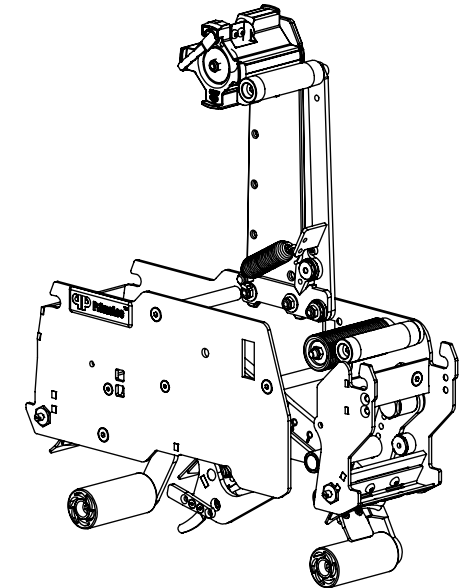
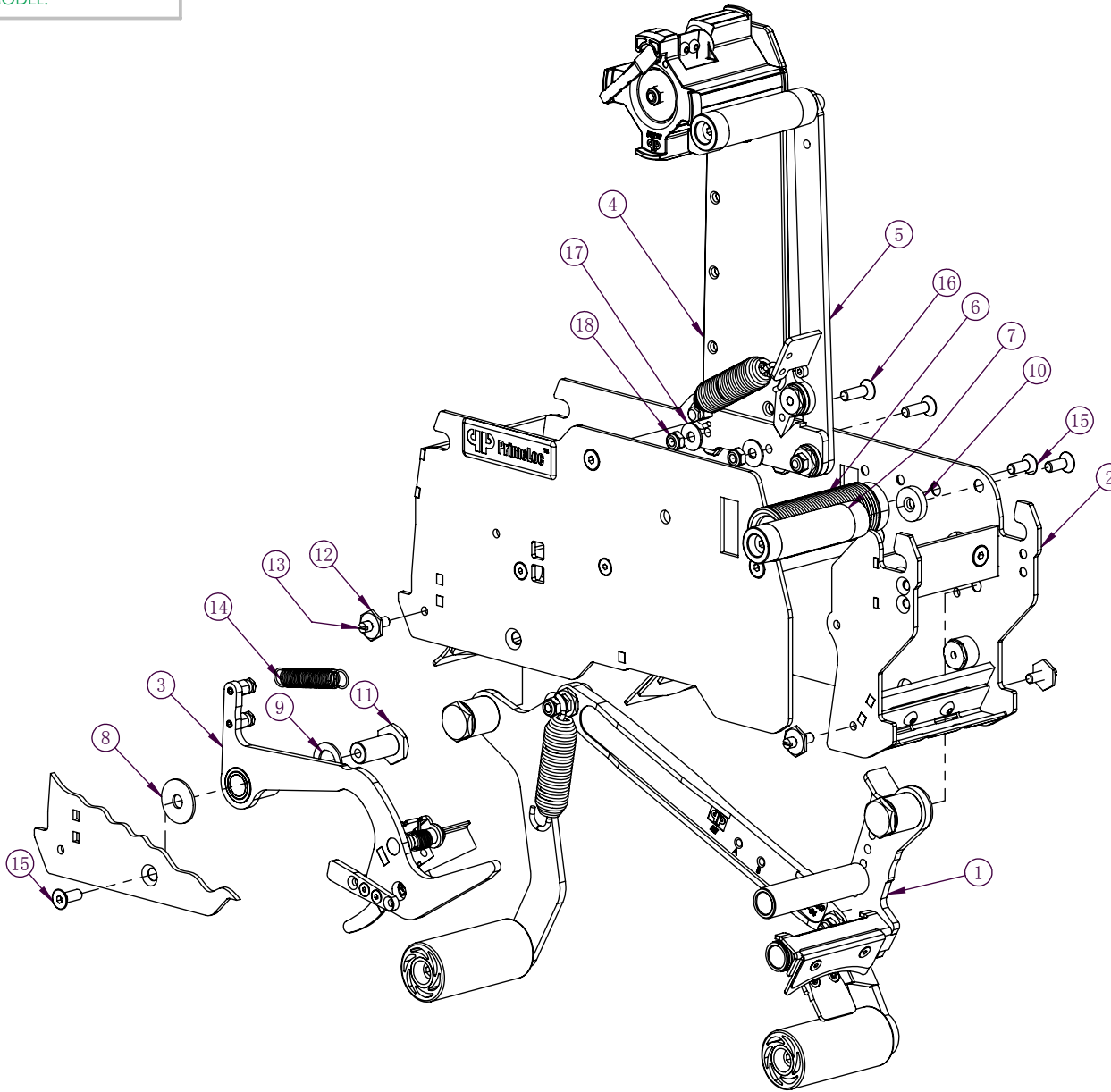
Order replacement parts here:

<https://shursealsecure.com/contact-shurseal/shurseal-part-order-form/>

\*Each page contains a hyper-link which will take you to our on-line order form. Click on any link on any page.



|        |   |
|--------|---|
| TITLE  | <b>C7305 - FOOT PRINT<br/>3"-RH-LD-STD.WELD</b> |
| DWG #: | C7305 REV. 03                                   |



| ITEM. | QTY. | PART. | DESCRIPTION                             | REV. |
|-------|------|-------|---|------|
| 18    | 2    | 01085 | <b>901719</b> NUT,NYLOCK, M6x1.0        | 01   |
| 17    | 2    | 01103 | WASHER, M6 X 16MM DIA                   | 01   |
| 16    | 2    | 01053 | HEX SOCKET CSK SCREW,M6 X 20            | 01   |
| 15    | 3    | 01052 | SOCKET CSK SCREW M6 X 16                | 01   |
| 14    | 1    | 02024 | SPRING, TENSION 11MM DIA x 40.8         | 01   |
| 13    | 4    | 10489 | STUD SCREW/ 20MM                        | 01   |
| 12    | 4    | 10478 | SPACER - 2.3 MM                         | 01   |
| 11    | 1    | 10621 | <b>902258</b> SHAFT, 12.70 x 31.0       | 01   |
| 10    | 1    | 10729 | SPACER - 4.70 MM                        | 01   |
| 9     | 1    | 10636 | <b>902305</b> WASHER                    | 01   |
| 8     | 1    | 10637 | SS WASHER                               | 01   |
| 7     | 1    | 50370 | <b>901871</b> ROLLER ASSY. 83.5 MM      | 01   |
| 6     | 1    | 50211 | <b>901872</b> CLUTCH ROLLER ASSY. 3" RH | 01   |
| 5     | 1    | 50216 | DANCER ARM ASSY. 3" RH                  | 01   |
| 4     | 1    | 50388 | TAPE ROLL MAST ASSY. 3" RH              | 01   |
| 3     | 1    | 51017 | CUTTING CAM ASSY. 3" RH                 | 01   |
| 2     | 1    | 50395 | FRAME ASSY.3" RH, LD                    | 02   |
| 1     | 1    | 50432 | CORE MECHANISM RH 3",LD                 | 02   |

Order replacement parts here:  
<https://shursealsecure.com/contact-shurseal/shurseal-part-order-form/>

✕ SPARE PARTS

THE INFORMATION CONTAINED IN THIS DRAWING IS THE SOLE PROPERTY OF PRIMELoc PACKAGING INC . ANY REPRODUCTION IN PART OR AS A WHOLE WITHOUT THE WRITTEN PERMISSION IS PROHIBITED.

MATERIAL: SEE PARTS' LIST

DIMENSIONS ARE IN MILLIMETER  
 DO NOT SCALE DRAWING  
 THIRD ANGLE PROJECTION  
 (3D SOLID DRAWING)

TOLERANCES: .XX .12  
 X .25  
 ANGUL.: 1  
 DEBUR SHARP CORNERS AND  
 EDGES 0.5 MAX

SIZE:

REF.DWG #:

DRAWN BY: YP

FINISH:

COLOR:

DATE(Y-M-D): 2019-09-01

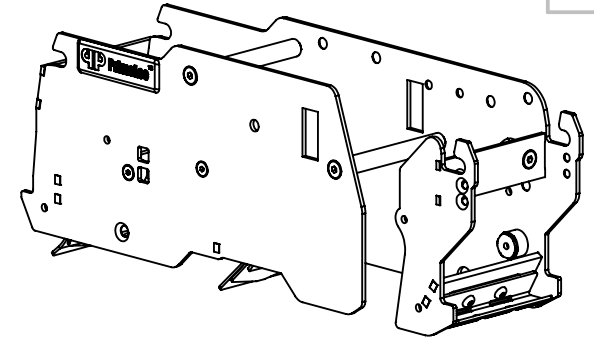
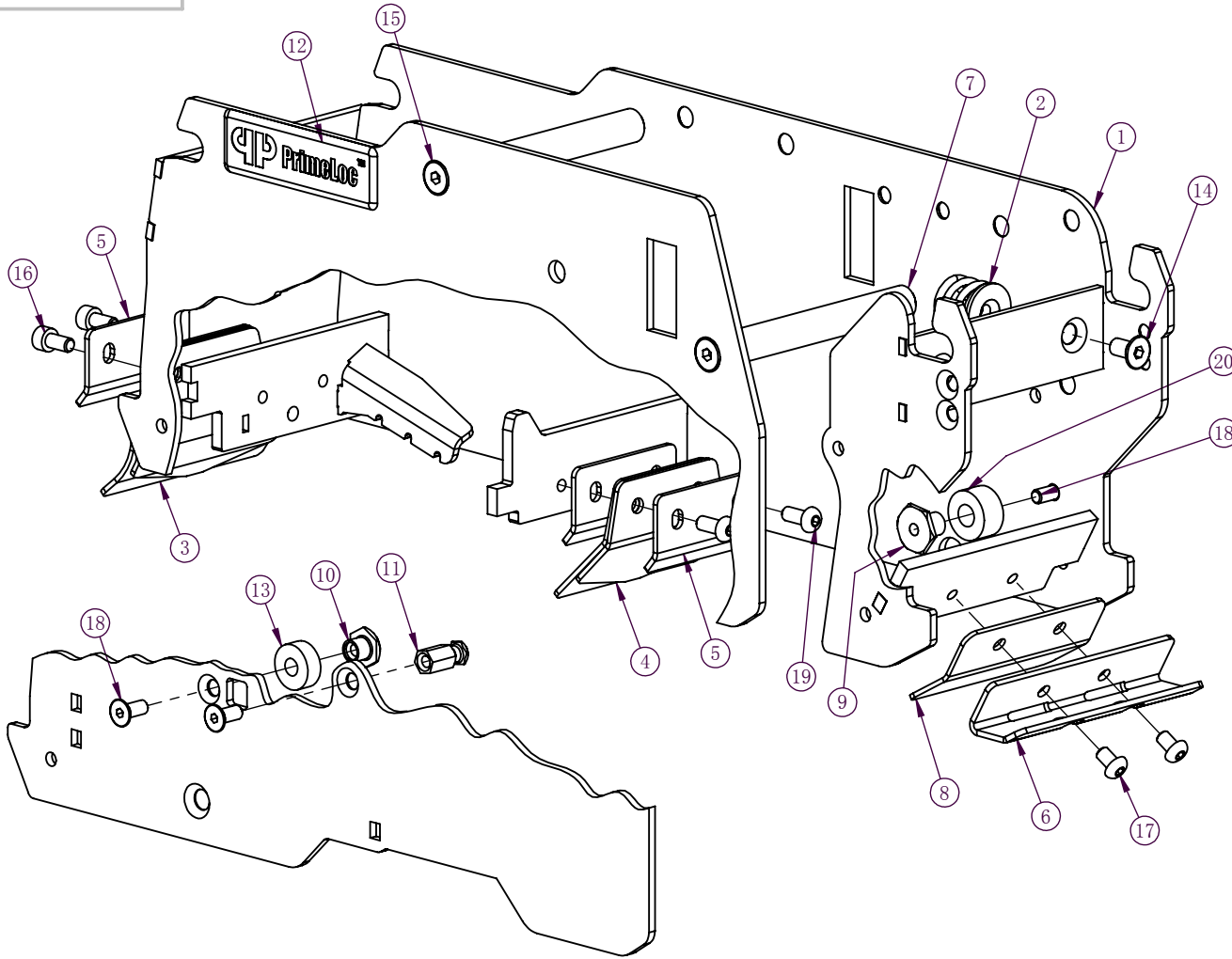
APPROVED BY: JL



**MODEL: C7305**  
**S.S 3" RH LD WELD**

DWG #: 50706 REV. 02

| REV. | DESCRIPTION | DATE |
|------|-------------|------|
| 02   |             |      |
|      | REVISIONS   |      |



| ITEM. | QTY. | PART. | DESCRIPTION                               | REV. |
|-------|------|-------|---|------|
| 20    | 1    | 03066 | <b>902255</b> PU, STOP, YELLOW            | 01   |
| 19    | 2    | 01013 | SCREW, HSBHCS, M5 X 12                    | 01   |
| 18    | 3    | 01047 | SOCKET CSK SCREW M5 X 12                  | 01   |
| 17    | 2    | 01011 | SCREW, HSBHCS, M5 X 8                     | 01   |
| 16    | 2    | 01025 | SOCK. CAP SCREW M5 X 10                   | 01   |
| 15    | 4    | 01052 | SOCKET CSK SCREW M6 X 16                  | 01   |
| 14    | 1    | 01051 | SOCKET CSK SCREW, M6 X 12                 | 01   |
| 13    | 1    | 03006 | <b>901735</b> PU, STOP, BLACK             | 01   |
| 12    | 1    | 03026 | LABEL STICKER                             | 01   |
| 11    | 1    | 10707 | PIN, ANCHOR 19.0 MM                       | 01   |
| 10    | 1    | 11038 | <b>902256</b> STOP NUT                    | 01   |
| 9     | 1    | 10041 | <b>901743</b> PIN, STOP                   | 01   |
| 8     | 1    | 10383 | <b>901780</b> SKIP PLATE                  | 01   |
| 7     | 2    | 10395 | SPACER, BODY, 3"                          | 01   |
| 6     | 1    | 10849 | CLAMP PLATE 3", LD                        | 01   |
| 5     | 3    | 10703 | <b>901934</b> WIPER SS CLAMPING PLATE SET | 01   |
| 4     | 1    | 50324 | <b>901895</b> 3" MID WIPER SET            | 01   |
| 3     | 1    | 50315 | <b>901893</b> 3" REAR WIPER SET           | 01   |
| 2     | 1    | 50429 | <b>901967</b> BOOSTER SPRING              | 01   |
| 1     | 1    | 50364 | WELDED FRAME 3" RH, LD                    | 01   |

Order replacement parts here:  
<https://shursealsecure.com/contact-shurseal/shurseal-part-order-form/>

※ SPARE PARTS

THE INFORMATION CONTAINED IN THIS DRAWING IS THE SOLE PROPERTY OF PRIMELOC PACKAGING INC. ANY REPRODUCTION IN PART OR AS A WHOLE WITHOUT THE WRITTEN PERMISSION IS PROHIBITED.

MATERIAL: SEE PARTS' LIST

DIMENSIONS ARE IN MILLIMETER  
 DO NOT SCALE DRAWING  
 THIRD ANGLE PROJECTION  
 (3D SOLID DRAWING)

TOLERANCES: .XX .12  
 X .25  
 ANGUL.: 1  
 DEBUR SHARP CORNERS AND  
 EDGES 0.5 MAX

SIZE:

REF.DWG #:

DRAWN BY: YP

FINISH:

COLOR:

DATE(Y-M-D): 2019-09-01

APPROVED BY: JL

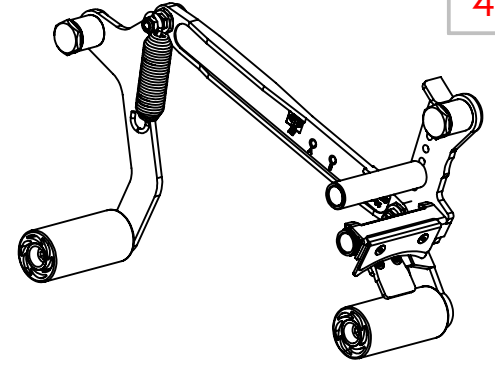
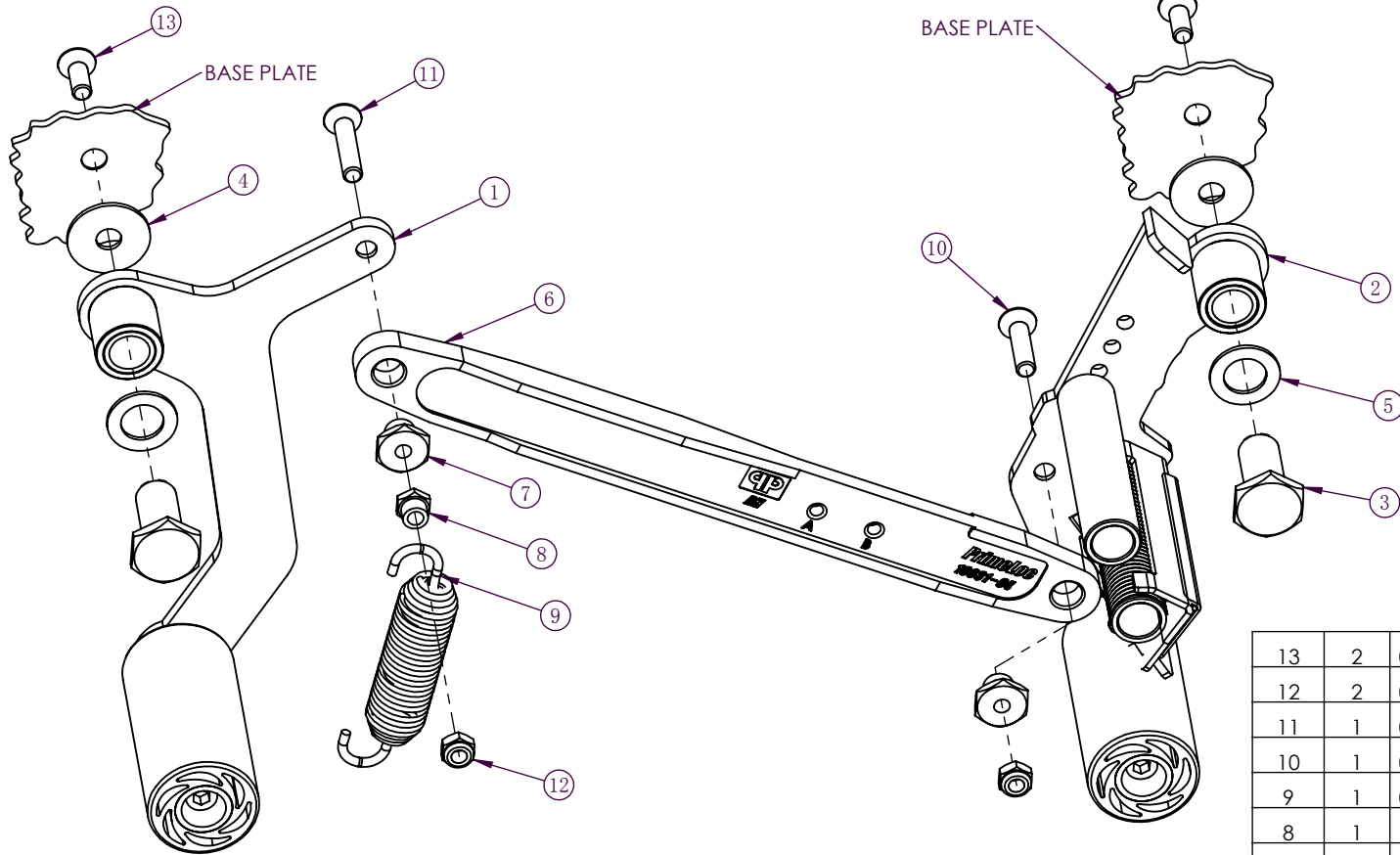


TITLE  
**MODEL C7305**  
**FRAME ASSY.3" RH, LD**  
 DWG #: 50395 REV. 02

| REV. | DESCRIPTION | DATE |
|------|-------------|------|
| 02   |             |      |
|      | REVISIONS   |      |

MODEL:

4



| ITEM. | QTY. | PART. | DESCRIPTION                          | REV. |
|-------|------|-------|--------------------------------------|------|
| 13    | 2    | 01052 | SOCKET CSK SCREW M6 X 16             | 01   |
| 12    | 2    | 01085 | <b>901719</b> NUT,NYLOCK, M6x1.0     | 01   |
| 11    | 1    | 01112 | SOCKET CSK SCREW,M6 X 30             | 01   |
| 10    | 1    | 01055 | SOCKET CSK SCREW,M6 X 25             | 01   |
| 9     | 1    | 02048 | <b>901731</b> SPRING, ROLLER TENSION | 01   |
| 8     | 1    | 10376 | <b>902307</b> ANCHOR - SPRING        | 01   |
| 7     | 2    | 10341 | <b>901756</b> SHAFT - HEX            | 01   |
| 6     | 1    | 10631 | <b>902288</b> PUSH BAR - MOLDED      | 01   |
| 5     | 2    | 10636 | <b>902305</b> WASHER                 | 01   |
| 4     | 2    | 10637 | SS WASHER                            | 01   |
| 3     | 2    | 10621 | <b>902258</b> SHAFT, 12.70 x 31.0    | 01   |
| 2     | 1    | 50217 | FRONT ROLLER ARM ASSY. 3" RH         | 02   |
| 1     | 1    | 50218 | REAR ROLLER ARM ASSY. 3" RH          | 02   |
| ITEM. | QTY. | PART. | DESCRIPTION                          | REV. |

Order replacement parts here:  
<https://shursealsecure.com/contact-shurseal/shurseal-part-order-form/>

※ SPARE PARTS

THE INFORMATION CONTAINED IN THIS DRAWING IS THE SOLE PROPERTY OF PRIMELoc PACKAGING INC . ANY REPRODUCTION IN PART OR AS A WHOLE WITHOUT THE WRITTEN PERMISSION IS PROHIBITED.

MATERIAL: SEE PARTS' LIST

DIMENSIONS ARE IN MILLIMETER  
 DO NOT SCALE DRAWING  
 THIRD ANGLE PROJECTION  
 (3D SOLID DRAWING)

TOLERANCES: .XX .12  
 X .25  
 ANGUL.: 1  
 DEBUR SHARP CORNERS AND  
 EDGES 0.5 MAX

SIZE:

REF.DWG #:

DRAWN BY: YP

FINISH:

COLOR:

DATE(Y-M-D): 2019-09-01

APPROVED BY: JL



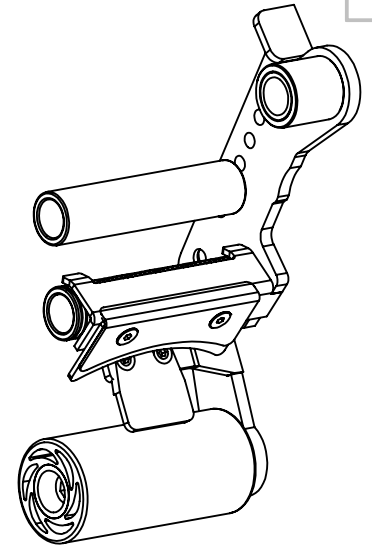
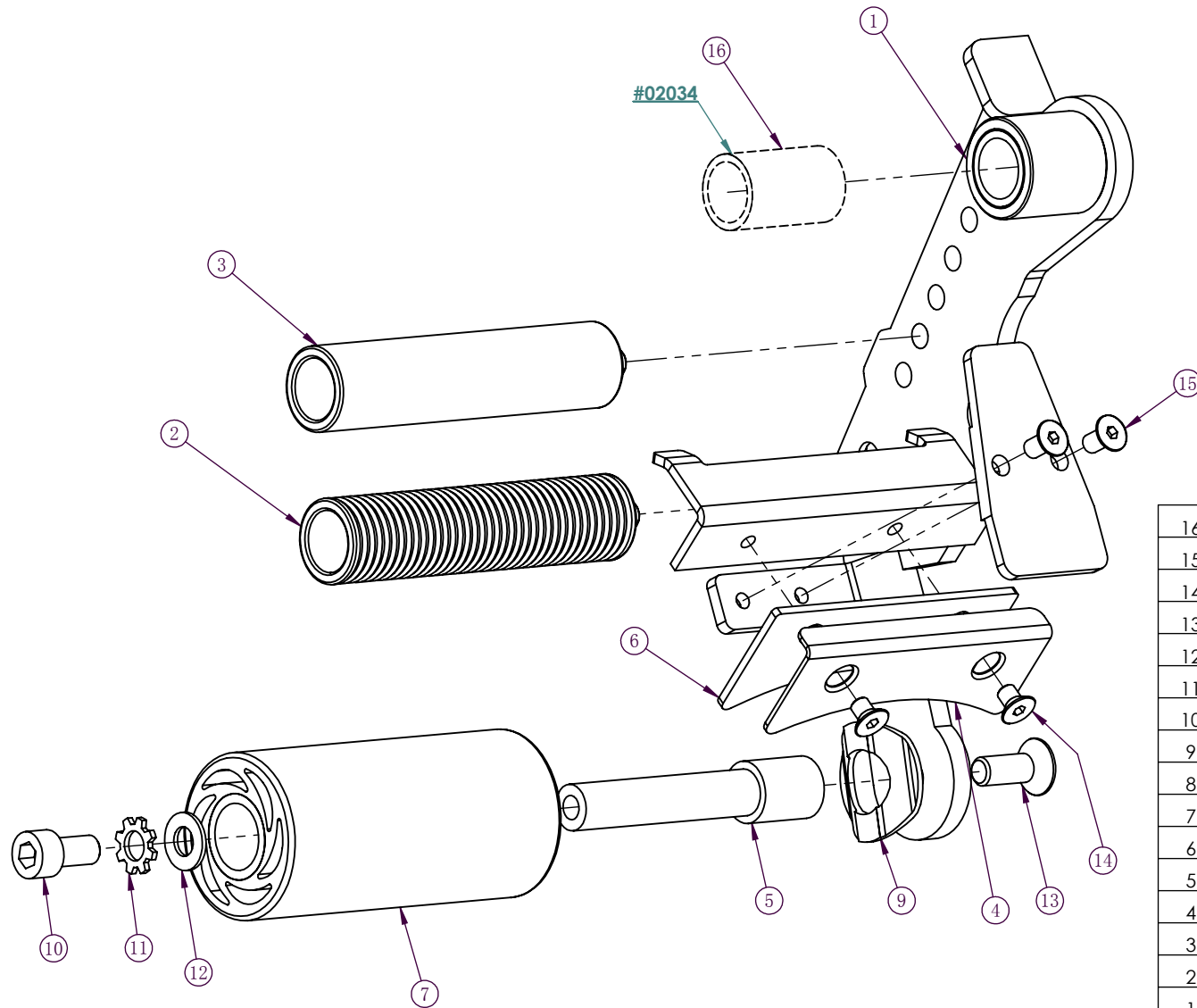
TITLE  
**CORE MECHANISM RH 3",LD**

DWG #: 50432 REV. 02

| REV. | DESCRIPTION | DATE |
|------|-------------|------|
| 02   |             |      |
|      | REVISIONS   |      |

MODEL: -

5



| ITEM. | QTY. | PART. | DESCRIPTION                             | REV. |
|-------|------|-------|---|------|
| 16    | 1    | 02034 | <b>901772</b> BUSHING, 1/2x5/8x1"       | 01   |
| 15    | 2    | 01039 | SOCKET CSK SCREW M4 X 8                 | 01   |
| 14    | 2    | 01038 | SOCKET CSK SCREW M4 X 6                 | 01   |
| 13    | 1    | 01052 | SOCKET CSK SCREW M6 X 16                | 01   |
| 12    | 1    | 01071 | WASHER, M6 X 12MM DIA                   | 01   |
| 11    | 1    | 01075 | WASHER, EXT. TOOTH LOCK, M6             | 01   |
| 10    | 1    | 01032 | SOCK. CAP SCREW M6 X 12                 | 01   |
| 9     | 1    | 03015 | <b>901737</b> DRAG WASHER               | 02   |
| 8     | 1    | 03016 | <b>901738</b> TAPE SUPPORT              | 02   |
| 7     | 1    | 03020 | <b>901875</b> SPIRAL ROLLER, 3"         | 01   |
| 6     | 1    | 10412 | <b>901876</b> GUIDE, TAPE PRE-FORM      | 02   |
| 5     | 1    | 10398 | <b>901877</b> SHAFT 3"                  | 01   |
| 4     | 1    | 10755 | <b>901613</b> 3" CLAMP                  | 01   |
| 3     | 1    | 50371 | <b>901879</b> ROLLER ASSY. 77MM         | 01   |
| 2     | 1    | 50372 | <b>901878</b> KNURLED ROLLER ASSY. 77MM | 01   |
| 1     | 1    | 50207 | <b>901880</b> FRONT ROLLER ARM 3" RH LD | 01   |

Order replacement parts here:  
<https://shursealsecure.com/contact-shurseal/shurseal-part-order-form/>

✕ SPARE PARTS

THE INFORMATION CONTAINED IN THIS DRAWING IS THE SOLE PROPERTY OF PRIMELoc PACKAGING INC. ANY REPRODUCTION IN PART OR AS A WHOLE WITHOUT THE WRITTEN PERMISSION IS PROHIBITED.

MATERIAL: SEE PARTS' LIST

DIMENSIONS ARE IN MILLIMETER  
 DO NOT SCALE DRAWING  
 THIRD ANGLE PROJECTION  
 (3D SOLID DRAWING)

TOLERANCES: .XX .12  
 X .25  
 ANGUL.: 1  
 DEBUR SHARP CORNERS AND  
 EDGES 0.5 MAX



TITLE  
**FRONT ROLLER ARM ASSY. 3" RH**

SIZE:

REF.DWG #:

DRAWN BY: YP

FINISH:

COLOR:

DATE(Y-M-D): 2019-09-01

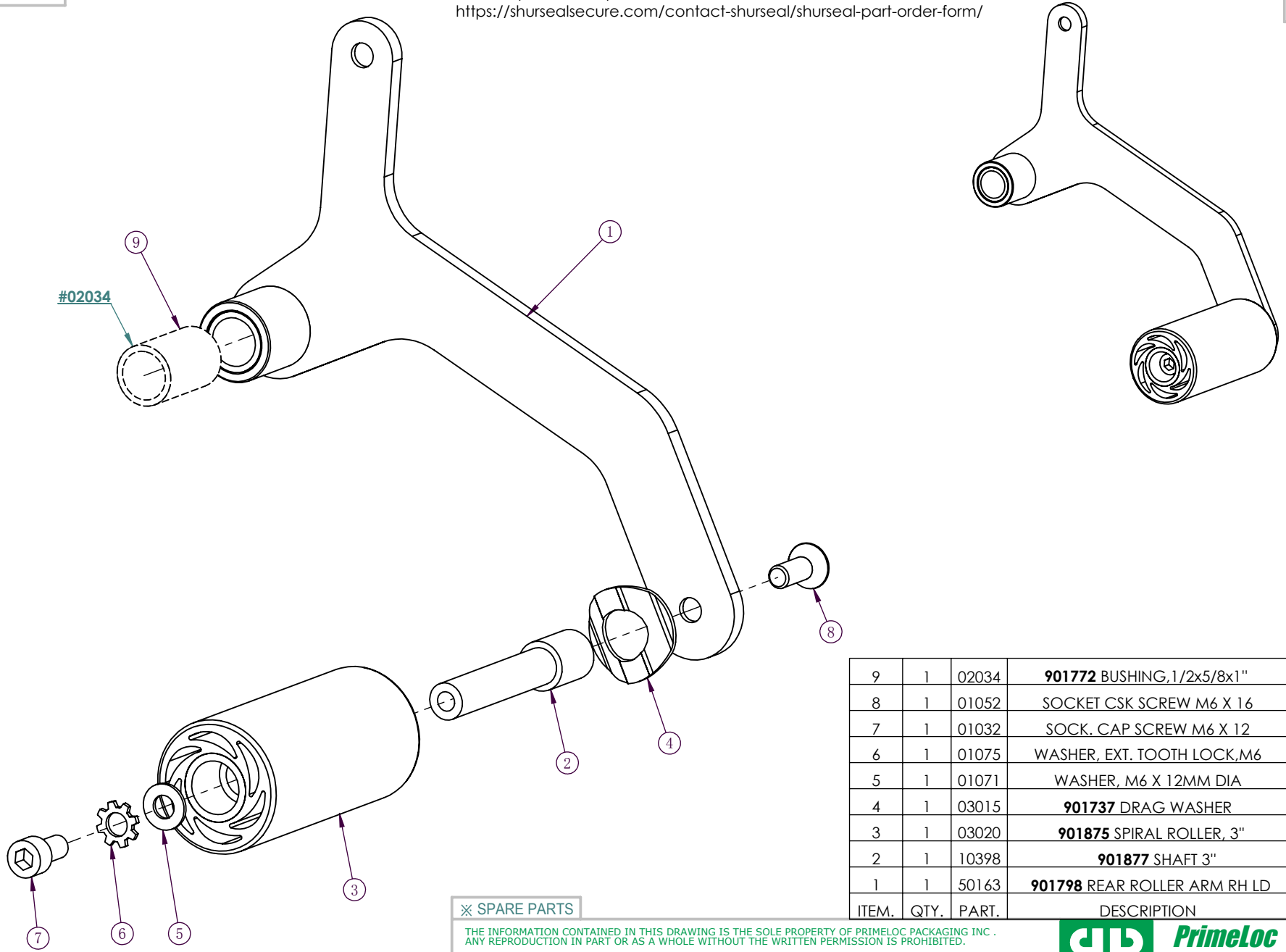
APPROVED BY: JL

DWG #: 50217 REV. 02

| REV. | DESCRIPTION | DATE |
|------|-------------|------|
| 02   |             |      |
|      | REVISIONS   |      |

MODEL: -

Order replacement parts here:  
<https://shursealsecure.com/contact-shurseal/shurseal-part-order-form/>



| ITEM. | QTY. | PART. | DESCRIPTION                         | REV. |
|-------|------|-------|-------------------------------------|------|
| 9     | 1    | 02034 | <b>901772</b> BUSHING,1/2x5/8x1"    | 01   |
| 8     | 1    | 01052 | SOCKET CSK SCREW M6 X 16            | 01   |
| 7     | 1    | 01032 | SOCK. CAP SCREW M6 X 12             | 01   |
| 6     | 1    | 01075 | WASHER, EXT. TOOTH LOCK,M6          | 01   |
| 5     | 1    | 01071 | WASHER, M6 X 12MM DIA               | 01   |
| 4     | 1    | 03015 | <b>901737</b> DRAG WASHER           | 02   |
| 3     | 1    | 03020 | <b>901875</b> SPIRAL ROLLER, 3"     | 01   |
| 2     | 1    | 10398 | <b>901877</b> SHAFT 3"              | 01   |
| 1     | 1    | 50163 | <b>901798</b> REAR ROLLER ARM RH LD | 01   |

✕ SPARE PARTS

THE INFORMATION CONTAINED IN THIS DRAWING IS THE SOLE PROPERTY OF PRIMELOC PACKAGING INC . ANY REPRODUCTION IN PART OR AS A WHOLE WITHOUT THE WRITTEN PERMISSION IS PROHIBITED.



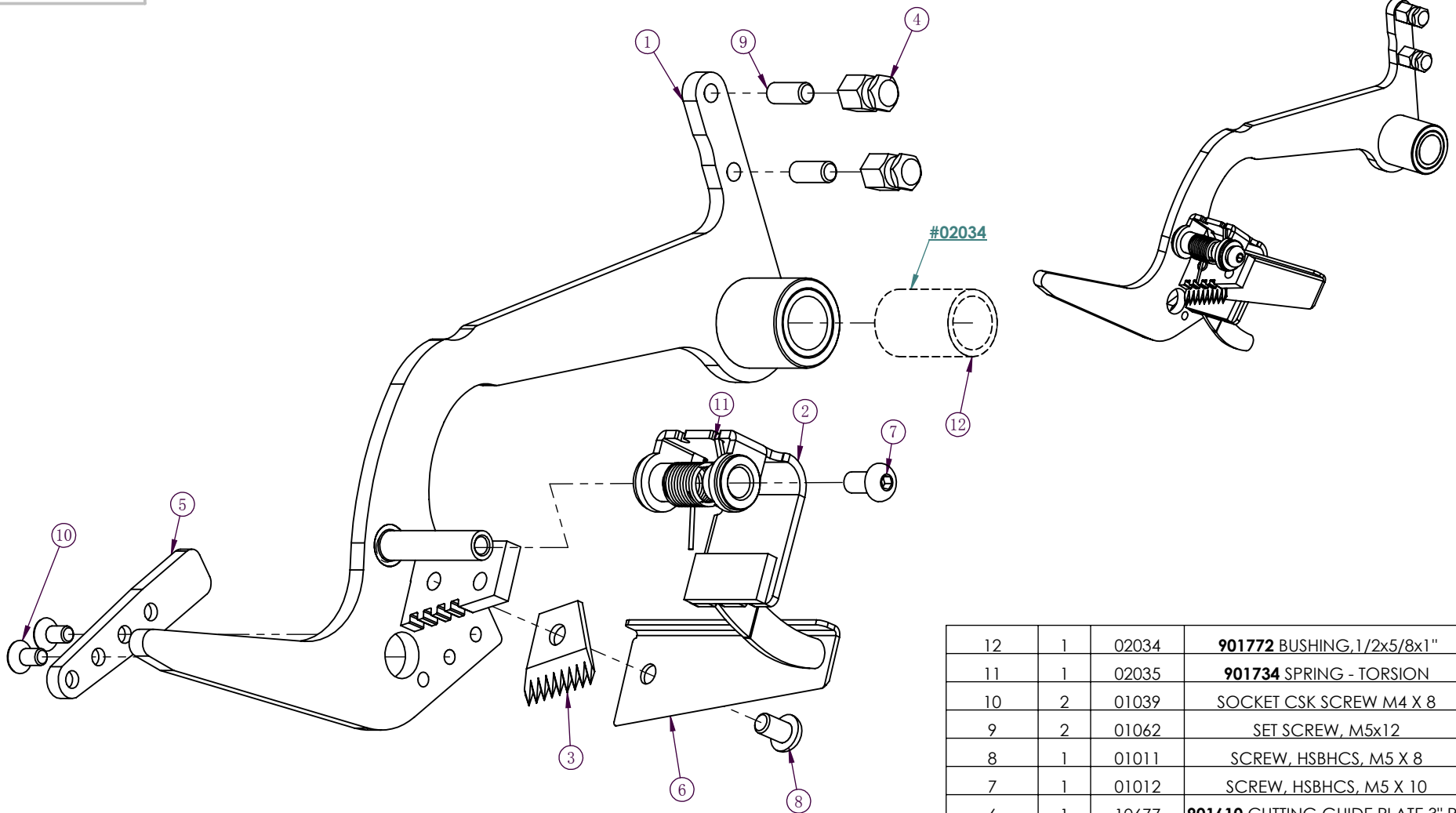
|                           |  |  |
|---------------------------|--|--|
| MATERIAL: SEE PARTS' LIST | DIMENSIONS ARE IN MILLIMETER<br>DO NOT SCALE DRAWING<br>THIRD ANGLE PROJECTION<br>(3D SOLID DRAWING) | TOLERANCES: .XX .12<br>.X .25<br>ANGUL.: 1 |
| SIZE:                     | REF.DWG #:   | DEBUR SHARP CORNERS AND EDGES 0.5 MAX      |
| FINISH:                   | COLOR:   | DRAWN BY: YP                               |
|                           | DATE(Y-M-D): 2019-09-01  | APPROVED BY: JL                            |

|        |                                    |
|--------|------------------------------------|
| TITLE  | <b>REAR ROLLER ARM ASSY. 3" RH</b> |
| DWG #: | 50218                              |
| REV.   | 02                                 |

| REV. | DESCRIPTION | DATE |
|------|-------------|------|
| 02   |             |      |
|      | REVISIONS   |      |

MODEL:

7



| ITEM NO. | QTY. | PART NO. | DESCRIPTION                             | REV. |
|----------|------|----------|---|------|
| 12       | 1    | 02034    | <b>901772</b> BUSHING, 1/2x5/8x1"       | 01   |
| 11       | 1    | 02035    | <b>901734</b> SPRING - TORSION          | 02   |
| 10       | 2    | 01039    | SOCKET CSK SCREW M4 X 8                 | 01   |
| 9        | 2    | 01062    | SET SCREW, M5x12                        | 01   |
| 8        | 1    | 01011    | SCREW, HSBHCS, M5 X 8                   | 01   |
| 7        | 1    | 01012    | SCREW, HSBHCS, M5 X 10                  | 01   |
| 6        | 1    | 10677    | <b>901610</b> CUTTING GUIDE PLATE 3" RH | 01   |
| 5        | 1    | 10368    | <b>901768</b> ADJUSTMENT BAR            | 02   |
| 4        | 2    | 10706    | PIN, ANCHOR 12.7 MM                     | 01   |
| 3        | 1    | 10469    | <b>901788</b> KNIFE                     | 01   |
| 2        | 1    | 50663    | <b>901623</b> KNIFE GUARD ASSY. RH      | 01   |
| 1        | 1    | 51005    | CUTTING CAM WELD ASSY, RH               | 01   |

Order replacement parts here:  
<https://shursealsecure.com/contact-shurseal/shurseal-part-order-form/>

✕ SPARE PARTS

THE INFORMATION CONTAINED IN THIS DRAWING IS THE SOLE PROPERTY OF PRIMELoc PACKAGING INC . ANY REPRODUCTION IN PART OR AS A WHOLE WITHOUT THE WRITTEN PERMISSION IS PROHIBITED.

MATERIAL: SEE PARTS' LIST

DIMENSIONS ARE IN MILLIMETER  
 DO NOT SCALE DRAWING  
 THIRD ANGLE PROJECTION  
 (3D SOLID DRAWING)

TOLERANCES: .XX .12  
 .X .25  
 ANGUL.: 1  
 DEBUR SHARP CORNERS AND  
 EDGES 0.5 MAX

SIZE:

REF.DWG #:

DRAWN BY:

TITLE

**PrimeLoc**  
**Packaging Inc.**

**CUTTING CAM ASSY. 3" RH**

FINISH:

COLOR:

DATE(Y-M-D): 2019-09-01

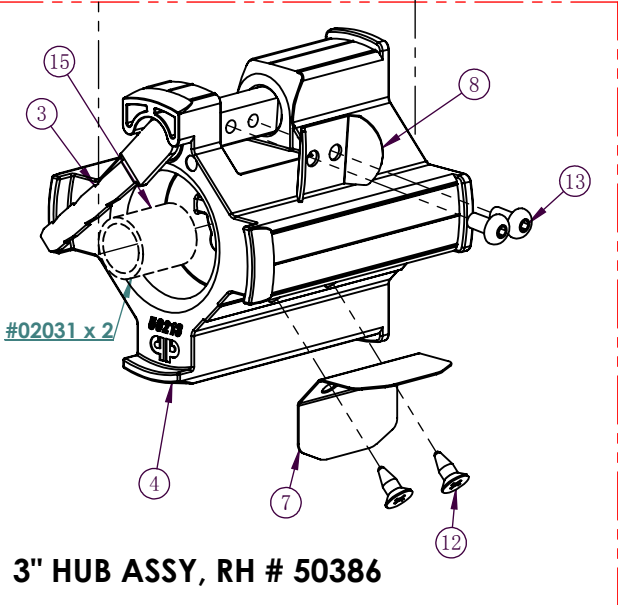
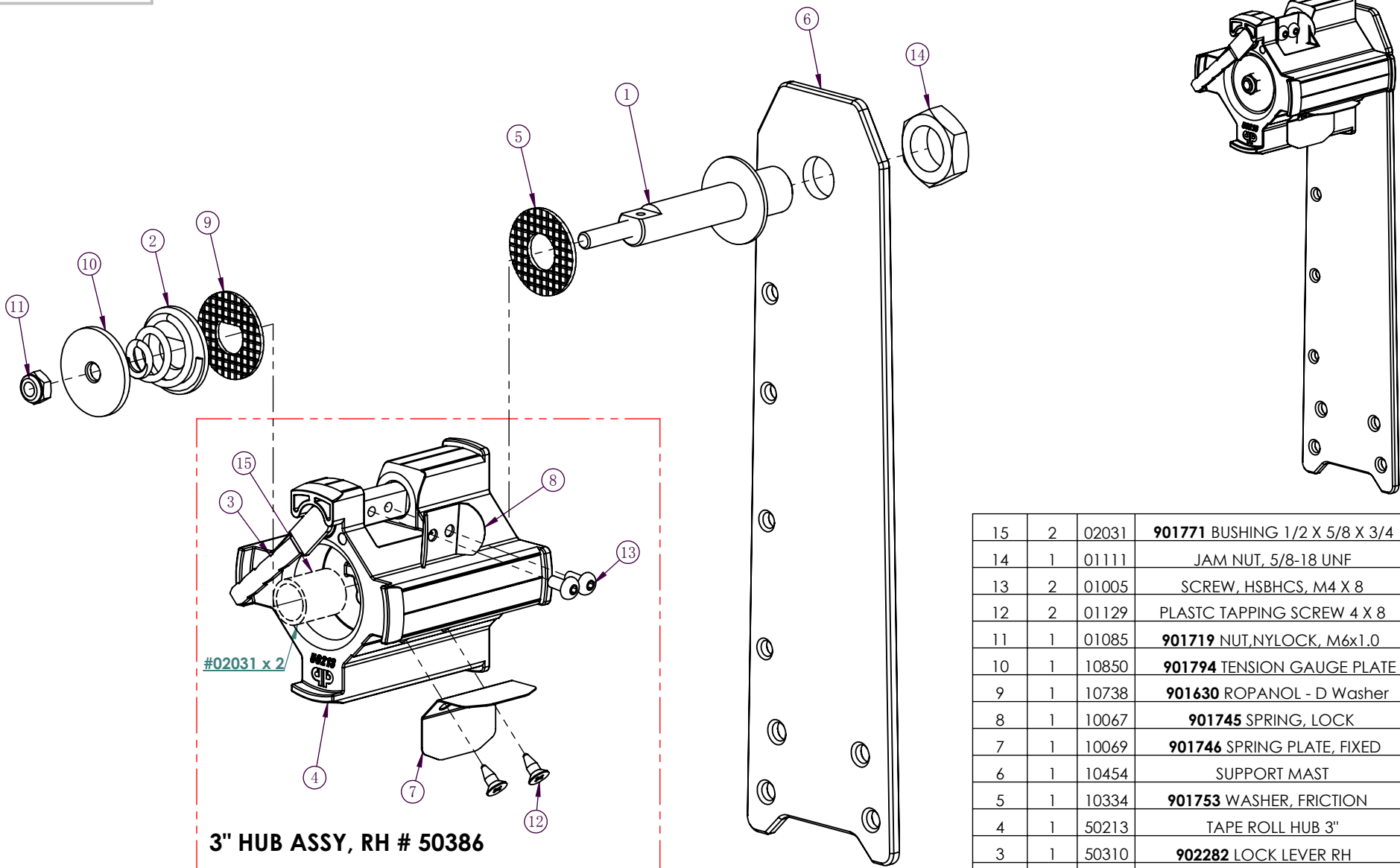
APPROVED BY: JL

DWG #: 51017 REV. 02

| REV. | DESCRIPTION | DATE |
|------|-------------|------|
| 02   |             |      |
|      | REVISIONS   |      |

MODEL:

8



| ITEM. | QTY. | PART. | DESCRIPTION                             | REV. |
|-------|------|-------|---|------|
| 15    | 2    | 02031 | <b>901771</b> BUSHING 1/2 X 5/8 X 3/4   | 01   |
| 14    | 1    | 01111 | JAM NUT, 5/8-18 UNF                     | 01   |
| 13    | 2    | 01005 | SCREW, HSBHCS, M4 X 8                   | 01   |
| 12    | 2    | 01129 | PLASTC TAPPING SCREW 4 X 8              | 01   |
| 11    | 1    | 01085 | <b>901719</b> NUT,NYLOCK, M6x1.0        | 01   |
| 10    | 1    | 10850 | <b>901794</b> TENSION GAUGE PLATE       | 01   |
| 9     | 1    | 10738 | <b>901630</b> ROPANOL - D Washer        | 01   |
| 8     | 1    | 10067 | <b>901745</b> SPRING, LOCK              | 02   |
| 7     | 1    | 10069 | <b>901746</b> SPRING PLATE, FIXED       | 01   |
| 6     | 1    | 10454 | SUPPORT MAST                            | 01   |
| 5     | 1    | 10334 | <b>901753</b> WASHER, FRICTION          | 02   |
| 4     | 1    | 50213 | TAPE ROLL HUB 3"                        | 01   |
| 3     | 1    | 50310 | <b>902282</b> LOCK LEVER RH             | 01   |
| 2     | 1    | 50358 | <b>901729</b> SPRING - CONICAL, HUB     | 01   |
| 1     | 1    | 50411 | <b>902378</b> SCREW, ADJUSTMENT 3",ASSY | 01   |

Order replacement parts here:  
<https://shursealsecure.com/contact-shurseal/shurseal-part-order-form/>

✖ SPARE PARTS

THE INFORMATION CONTAINED IN THIS DRAWING IS THE SOLE PROPERTY OF PRIMELoc PACKAGING INC . ANY REPRODUCTION IN PART OR AS A WHOLE WITHOUT THE WRITTEN PERMISSION IS PROHIBITED.

MATERIAL: SEE PARTS' LIST

DIMENSIONS ARE IN MILLIMETER  
 DO NOT SCALE DRAWING  
 THIRD ANGLE PROJECTION  
 (3D SOLID DRAWING)

TOLERANCES: .XX ±.12  
 .X ±.25  
 ANGUL.: ±1°  
 DEBUR SHARP CORNERS AND  
 EDGES 0.5 MAX



TITLE  
**TAPE ROLL MAST ASSY. 3" RH**

SIZE:

REF.DWG #:

DRAWN BY: YP

FINISH:

COLOR:

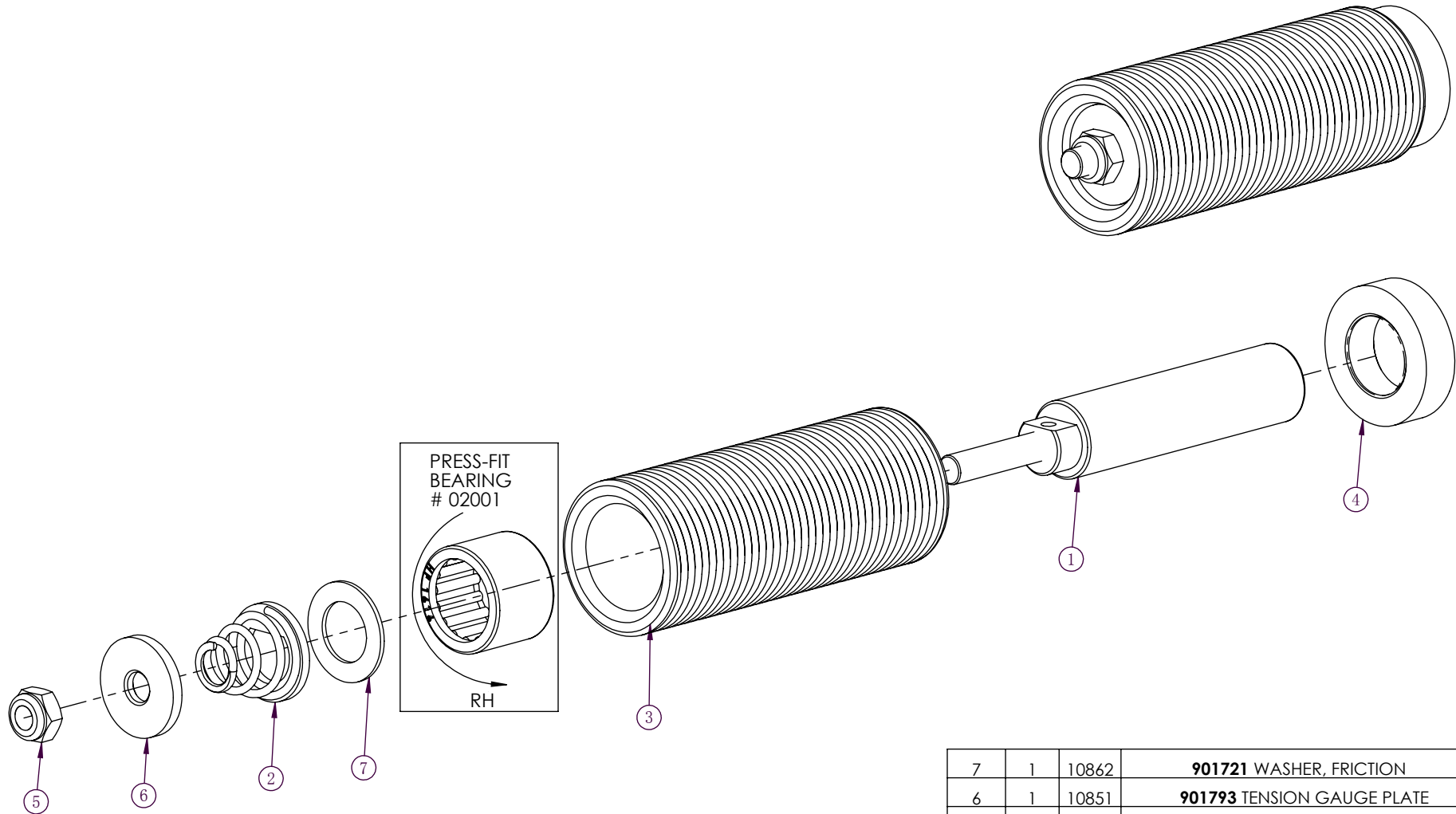
DATE(Y-M-D): 2019-09-01

APPROVED BY: JL

DWG #: 50388 REV. 02

| REV. | DESCRIPTION | DATE |
|------|-------------|------|
| 02   |             |      |
|      | REVISIONS   |      |





| 7     | 1    | 10862 | <b>901721</b> WASHER, FRICTION               | 01   |
|-------|------|-------|--|------|
| 6     | 1    | 10851 | <b>901793</b> TENSION GAUGE PLATE            | 01   |
| 5     | 1    | 01085 | <b>901719</b> NUT, NYLOCK, M6x1.0            | 01   |
| 4     | 1    | 10364 | <b>901765</b> SPACER, CLUTCH ROLLER          | 01   |
| 3     | 1    | 50560 | <b>901884</b> CLUTCH ROLLER 3" RH            | 01   |
| 2     | 1    | 50357 | <b>901728</b> SPRING - CONICAL, CLUTCH       | 01   |
| 1     | 1    | 50413 | <b>901931</b> 3" ONE-WAY CLUTCH ROLLER SHAFT | 01   |
| ITEM. | QTY. | PART. | DESCRIPTION                                  | REV. |

Order replacement parts here:  
<https://shursealsecure.com/contact-shurseal/shurseal-part-order-form/>

✕ SPARE PARTS

THE INFORMATION CONTAINED IN THIS DRAWING IS THE SOLE PROPERTY OF PRIMELoc PACKAGING INC. ANY REPRODUCTION IN PART OR AS A WHOLE WITHOUT THE WRITTEN PERMISSION IS PROHIBITED.

MATERIAL: SEE PARTS' LIST

DIMENSIONS ARE IN MILLIMETER  
 DO NOT SCALE DRAWING  
 THIRD ANGLE PROJECTION  
 (3D SOLID DRAWING)

TOLERANCES: .XX .12  
 .X .25  
 ANGUL.: 1  
 DEBUR SHARP CORNERS AND  
 EDGES 0.5 MAX



TITLE  
**CLUTCH ROLLER ASSY. 3" RH**

SIZE:

REF.DWG #:

DRAWN BY:

YP

FINISH:

COLOR:

DATE(Y-M-D): 2019-09-01

APPROVED BY:

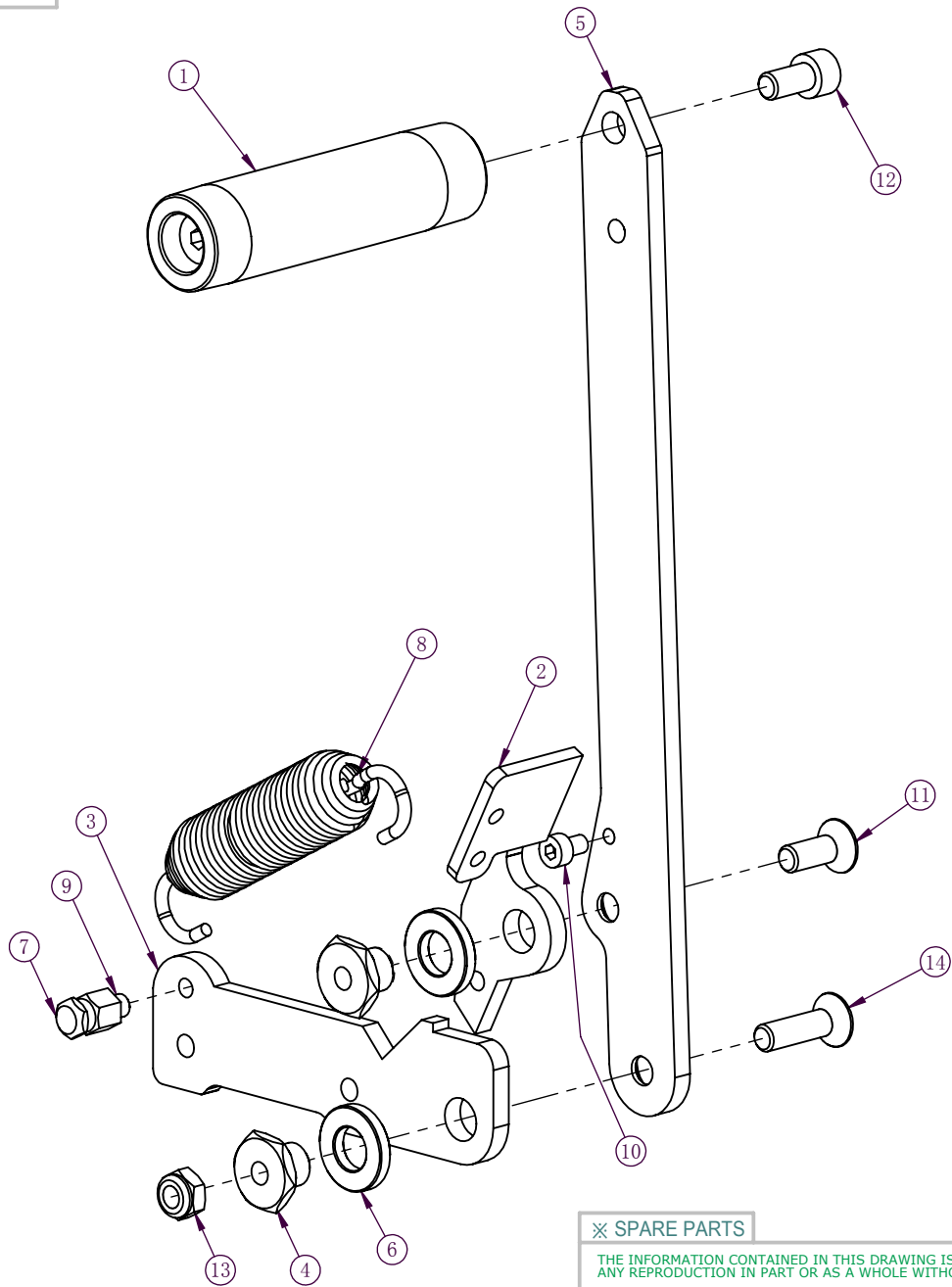
JL

DWG #: 50211 REV. 02

| REV. | DESCRIPTION | DATE |
|------|-------------|------|
| 02   |             |      |
|      | REVISIONS   |      |

MODEL:

10



Order replacement parts here:  
<https://shursealsecure.com/contact-shurseal/shurseal-part-order-form/>

| ITEM. | QTY. | PART. | DESCRIPTION                          | REV. |
|-------|------|-------|--------------------------------------|------|
| 14    | 1    | 01167 | SOCKET CSK SCREW,M6 X 22             | 01   |
| 13    | 1    | 01085 | <b>901719</b> NUT,NYLOCK, M6x1.0     | 01   |
| 12    | 1    | 01032 | SOCK. CAP SCREW M6 X 12              | 01   |
| 11    | 1    | 01052 | SOCKET CSK SCREW M6 X 16             | 01   |
| 10    | 1    | 01100 | SOCK. CAP SCREW M4 X 6.0             | 01   |
| 9     | 1    | 01062 | SET SCREW, M5x12                     | 01   |
| 8     | 1    | 02048 | <b>901731</b> SPRING, ROLLER TENSION | 01   |
| 7     | 1    | 10706 | <b>902304</b> PIN, ANCHOR 12.7 MM    | 01   |
| 6     | 2    | 10342 | <b>902306</b> PLASTIC SPACER         | 01   |
| 5     | 1    | 10337 | DANCER ARM, RH                       | 02   |
| 4     | 2    | 10341 | <b>901756</b> SHAFT - HEX            | 01   |
| 3     | 1    | 10828 | <b>902310</b> LATCH BAR              | 01   |
| 2     | 1    | 50154 | <b>902308</b> LATCH, RH              | 01   |
| 1     | 1    | 50370 | <b>901871</b> ROLLER ASSY. 83.5 MM   | 01   |
| ITEM. | QTY. | PART. | DESCRIPTION                          | REV. |

※ SPARE PARTS

THE INFORMATION CONTAINED IN THIS DRAWING IS THE SOLE PROPERTY OF PRIMELoc PACKAGING INC . ANY REPRODUCTION IN PART OR AS A WHOLE WITHOUT THE WRITTEN PERMISSION IS PROHIBITED.

|           |                 |
|-----------|-----------------|
| MATERIAL: | SEE PARTS' LIST |
| SIZE:     | -               |
| FINISH:   | -               |
| COLOR:    | -               |

|  |
|--|
| DIMENSIONS ARE IN MILLIMETER<br>DO NOT SCALE DRAWING<br>THIRD ANGLE PROJECTION<br>(3D SOLID DRAWING) |
| REF.DWG #:   |
| DATE(Y-M-D): 2019-09-01  |

|  |
|--|
| TOLERANCES: .XX .12<br>.X .25<br>ANGUL.: 1 |
| DEBUR SHARP CORNERS AND EDGES 0.5 MAX      |
| DRAWN BY: YP                               |
| APPROVED BY: JL                            |

**OPTION: 5602**  
**DANCER ARM ASSY. 3" RH**  
 DWG #: 50216 REV. 02

| REV. | DESCRIPTION | DATE |
|------|-------------|------|
| 02   |             |      |
|      | REVISIONS   |      |