

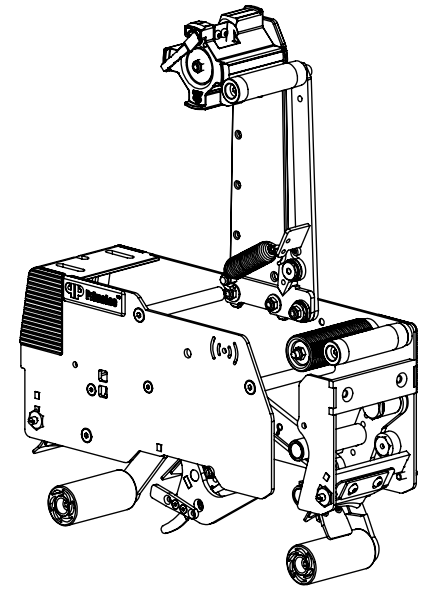
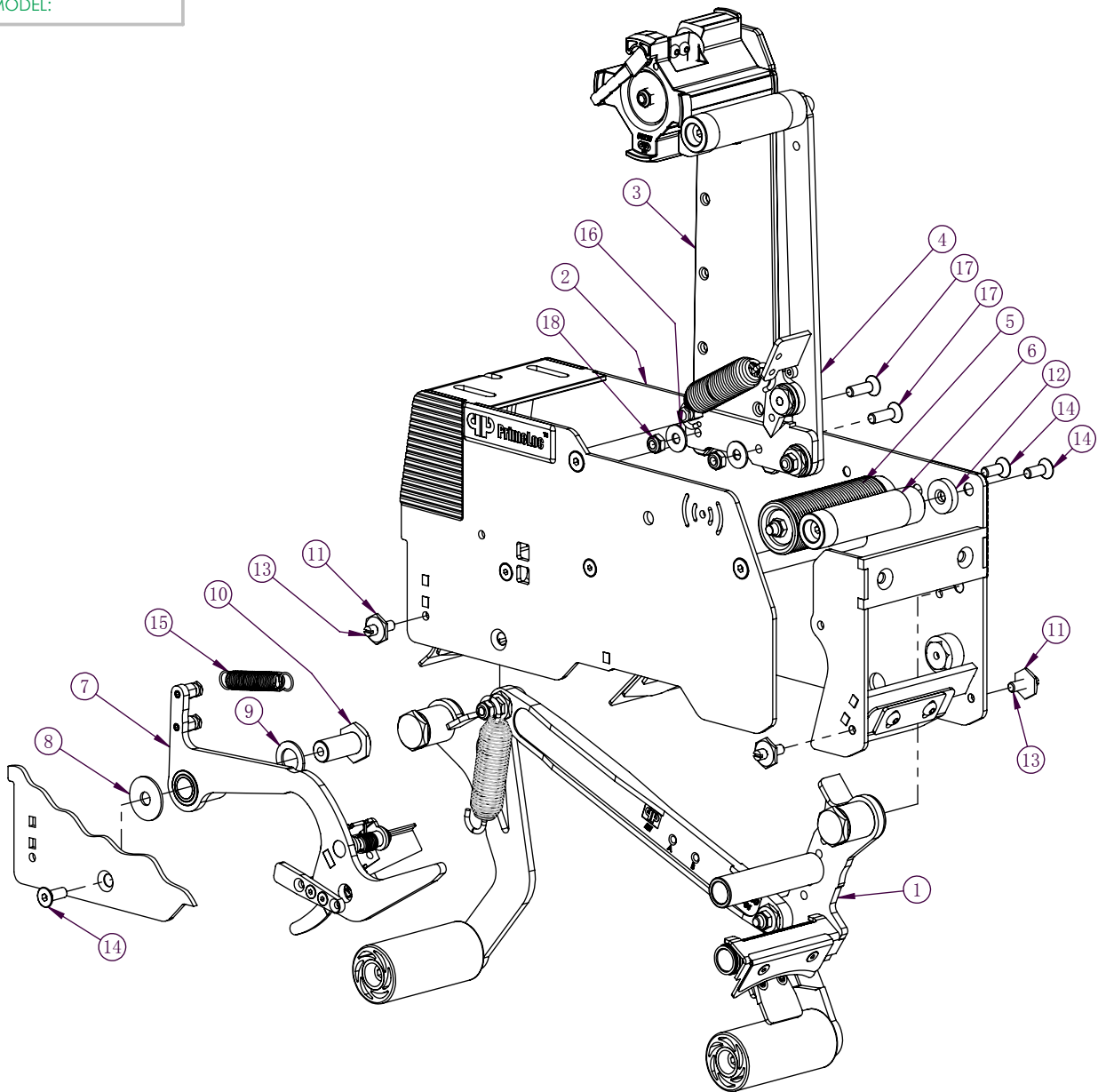
Order replacement parts here:

<https://shursealsecure.com/contact-shurseal/shurseal-part-order-form/>

\*Each page contains a hyper-link which will take you to our on-line order form. Click on any link on any page.



TITLE	<b>C7300 - FOOT PRINT 3"-RH-STD.WELD</b>
DWG #:	C7300 REV. 03



18	2	01085	<b>901719</b> NUT,NYLOCK, M6x1.0	01
17	2	01053	HEX SOCKET CSK SCREW,M6 X 20	01
16	2	01103	WASHER, M6 X 16MM DIA	01
15	1	02024	SPRING, TENSION 11MM DIA x 40.8	01
14	3	01052	SOCKET CSK SCREW M6 X 16	01
13	4	10489	STUD SCREW/ 20MM	01
12	1	10729	SPACER - 4.70 MM	01
11	4	10478	SPACER - 2.3 MM	01
10	1	10621	SHAFT, 12.70 x 31.0	01
9	1	10636	<b>902305</b> WASHER	01
8	1	10637	SS WASHER	01
7	1	51017	CUTTING CAM ASSY. 3" RH	02
6	1	50370	<b>901871</b> ROLLER ASSY. 83.5 MM	01
5	1	50211	<b>901872</b> CLUTCH ROLLER ASSY. 3" RH	02
4	1	50216	<b>901863</b> DANCER ARM ASSY. 3" RH	02
3	1	50388	TAPE ROLL MAST ASSY. 3" RH	02
2	1	50391	FRAME ASSY.3" RH	02
1	1	51033	CORE MECHANISM RH 3"	02
ITEM.	QTY.	PART.	DESCRIPTION	REV.

Order replacement parts here:  
<https://shursealsecure.com/contact-shurseal/shurseal-part-order-form/>

✖ SPARE PARTS

THE INFORMATION CONTAINED IN THIS DRAWING IS THE SOLE PROPERTY OF PRIMELoc PACKAGING INC . ANY REPRODUCTION IN PART OR AS A WHOLE WITHOUT THE WRITTEN PERMISSION IS PROHIBITED.

MATERIAL: SEE PARTS' LIST

DIMENSIONS ARE IN MILLIMETER  
 DO NOT SCALE DRAWING  
 THIRD ANGLE PROJECTION  
 (3D SOLID DRAWING)

TOLERANCES: .XX .12  
 .X .25  
 ANGUL.: 1  
 DEBUR SHARP CORNERS AND  
 EDGES 0.5 MAX

SIZE:

REF.DWG #:

DRAWN BY: YP

FINISH:

COLOR:

DATE(Y-M-D): 2019-09-01

APPROVED BY: JL

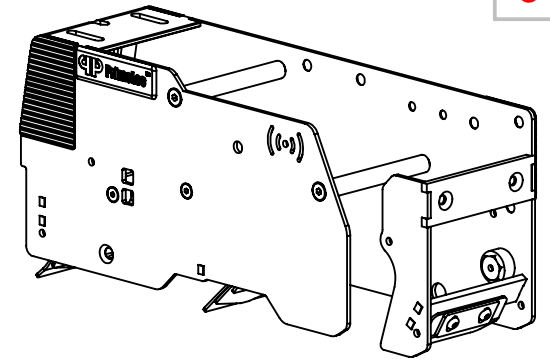
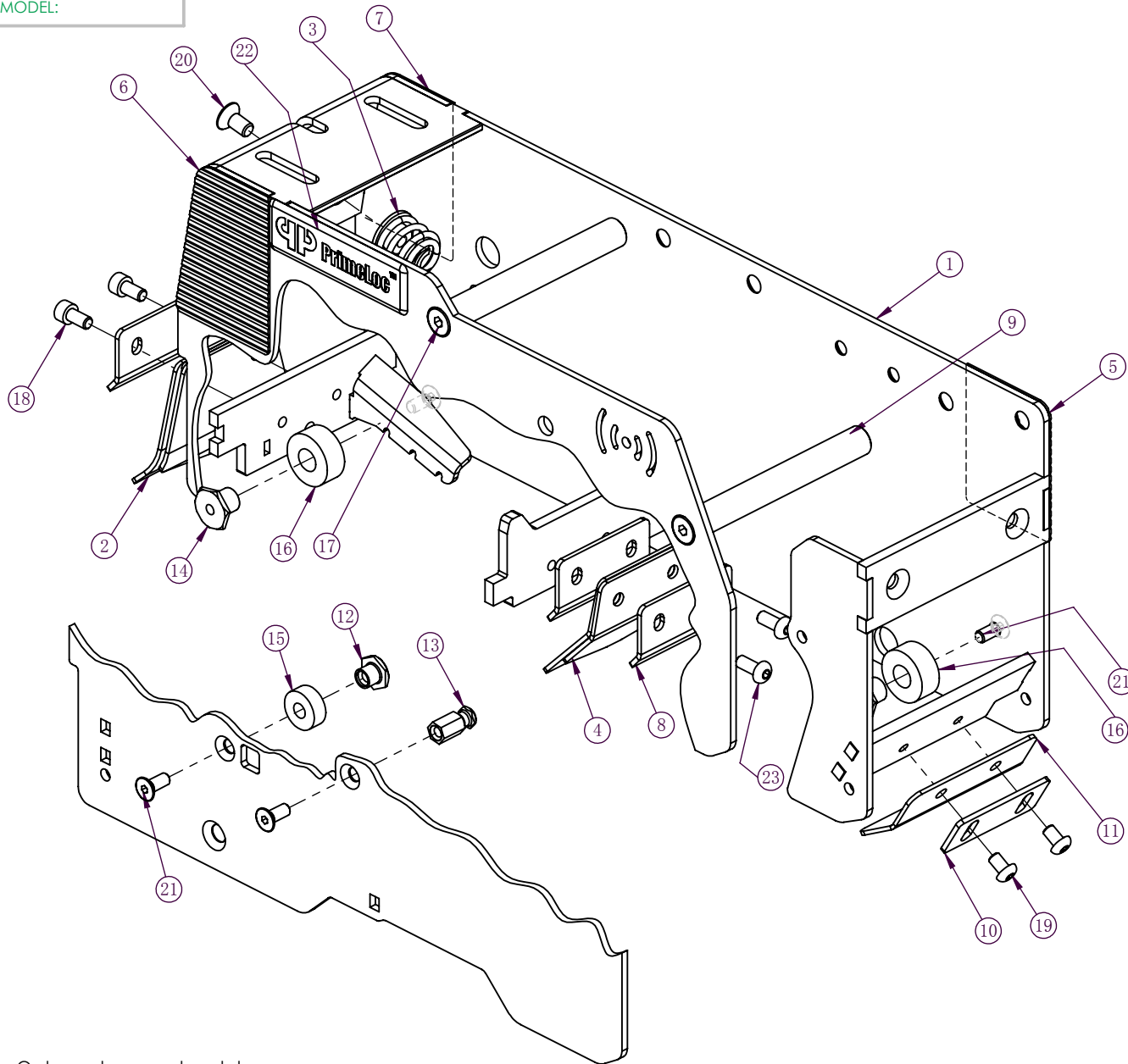


TITLE  
**MODEL: C7300**  
**S.S 3" RH STD WELD**  
 DWG #: 50704 REV. 02

REV.	DESCRIPTION	DATE
02		
	REVISIONS	

MODEL:

3



ITEM.	QTY	PART.	DESCRIPTION	REV.
23	2	01013	SCREW, HSBHCS, M5 X 12	01
22	1	03026	LABEL STICKER	01
21	4	01047	SOCKET CSK SCREW M5 X 12	01
20	1	01051	SOCKET CSK SCREW, M6 X 12	01
19	2	01011	SCREW, HSBHCS, M5 X 8	01
18	2	01025	SOCK. CAP SCREW M5 X 10	01
17	4	01052	SOCKET CSK SCREW M6 X 16	01
16	2	03029	<b>902375</b> PU, STOP, GREEN	01
15	1	03006	<b>901735</b> PU, STOP, BLACK	01
14	2	10045	<b>901955</b> STOP NUT	01
13	1	10707	PIN, ANCHOR 19.0 MM	01
12	1	10041	<b>901743</b> PIN, STOP	01
11	1	10383	<b>901780</b> SKIP PLATE	01
10	1	10473	<b>902257</b> CLAMP PLATE	01
9	2	10395	SPACER, BODY, 3"	01
8	3	10703	<b>901934</b> WIPER SS CLAMPING PLATE SET	01
7	1	10767	<b>902253</b> HAND GRIP	01
6	1	10766	<b>902254</b> HAND GRIP	01
5	1	10768	<b>902252</b> HAND GRIP, RH	01
4	1	50324	<b>901895</b> 3" MID WIPER SET	01
3	1	50429	<b>901967</b> BOOSTER SPRING	01
2	1	50315	<b>901893</b> 3" REAR WIPER SET	01
1	1	50360	WELDED FRAME 3"RH	01
ITEM.	QTY	PART.	DESCRIPTION	REV.

Order replacement parts here:  
<https://shursealsecure.com/contact-shurseal/shurseal-part-order-form/>

✳ SPARE PARTS

THE INFORMATION CONTAINED IN THIS DRAWING IS THE SOLE PROPERTY OF PRIMELOC PACKAGING INC. ANY REPRODUCTION IN PART OR AS A WHOLE WITHOUT THE WRITTEN PERMISSION IS PROHIBITED.

MATERIAL: SEE PARTS' LIST

DIMENSIONS ARE IN MILLIMETER  
 DO NOT SCALE DRAWING  
 THIRD ANGLE PROJECTION  
 (3D SOLID DRAWING)

TOLERANCES: .XX .12  
 X .25  
 ANGUL.: 1  
 DEBUR SHARP CORNERS AND  
 EDGES 0.5 MAX

SIZE:

REF.DWG #:

DRAWN BY: YP

FINISH:

COLOR:

DATE(Y-M-D): 2019-09-01

APPROVED BY: JL



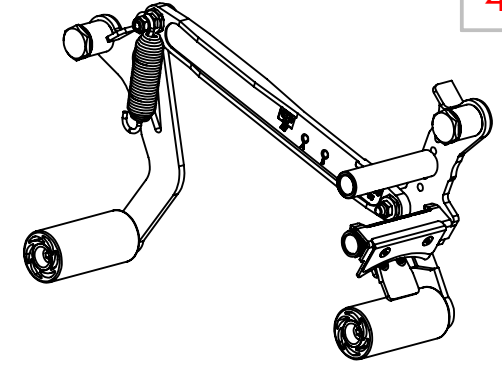
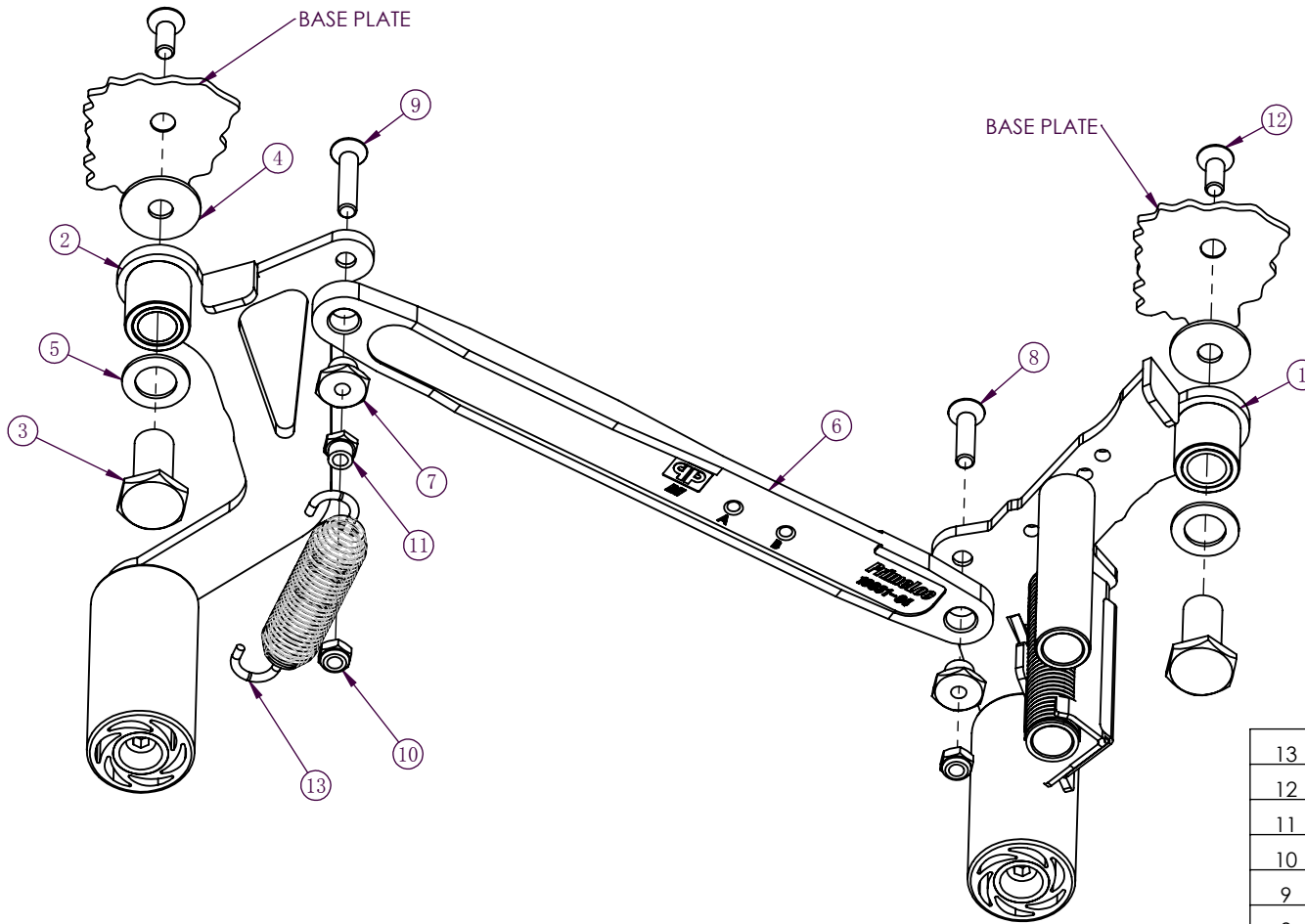
**MODEL C7300**  
**FRAME ASSY.3" RH**

DWG #: 50391 REV. 02

REV.	DESCRIPTION	DATE
02		
	REVISIONS	

MODEL:

4



ITEM.	QTY.	PART.	DESCRIPTION	REV.
13	1	02048	<b>901731</b> SPRING, ROLLER TENSION	01
12	2	01052	SOCKET CSK SCREW M6 X 16	01
11	1	10376	<b>902307</b> ANCHOR - SPRING	01
10	2	01085	<b>901719</b> NUT, NYLOCK, M6x1.0	01
9	1	01112	SOCKET CSK SCREW, M6 X 30	01
8	1	01055	SOCKET CSK SCREW, M6 X 25	01
7	2	10341	<b>901756</b> SHAFT - HEX	01
6	1	10631	<b>902288</b> PUSH BAR - MOLDED	01
5	2	10636	<b>902305</b> WASHER	01
4	2	10637	SS WASHER	01
3	2	10621	<b>902258</b> SHAFT, 12.70 x 31.0	01
2	1	50379	REAR ROLLER ARM ASSY. 3" RH	02
1	1	51029	FRONT ROLLER ARM ASSY. 3" RH	01
ITEM.	QTY.	PART.	DESCRIPTION	REV.

Order replacement parts here:  
<https://shursealsecure.com/contact-shurseal/shurseal-part-order-form/>

✕ SPARE PARTS

THE INFORMATION CONTAINED IN THIS DRAWING IS THE SOLE PROPERTY OF PRIMELoc PACKAGING INC. ANY REPRODUCTION IN PART OR AS A WHOLE WITHOUT THE WRITTEN PERMISSION IS PROHIBITED.

MATERIAL: SEE PARTS' LIST

DIMENSIONS ARE IN MILLIMETER  
 DO NOT SCALE DRAWING  
 THIRD ANGLE PROJECTION  
 (3D SOLID DRAWING)

TOLERANCES: .XX .12  
 .X .25  
 ANGUL.: 1  
 DEBUR SHARP CORNERS AND  
 EDGES 0.5 MAX

SIZE:

REF.DWG #:

DRAWN BY: YP

FINISH:

COLOR:

DATE(Y-M-D): 2019-09-01

APPROVED BY: JL



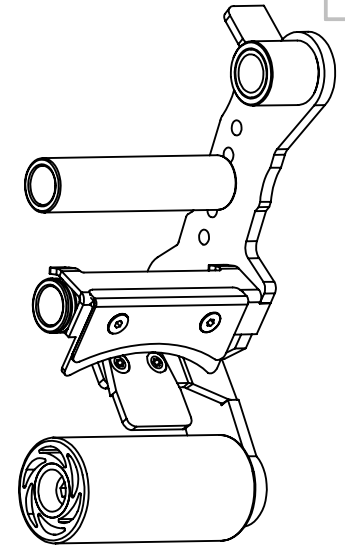
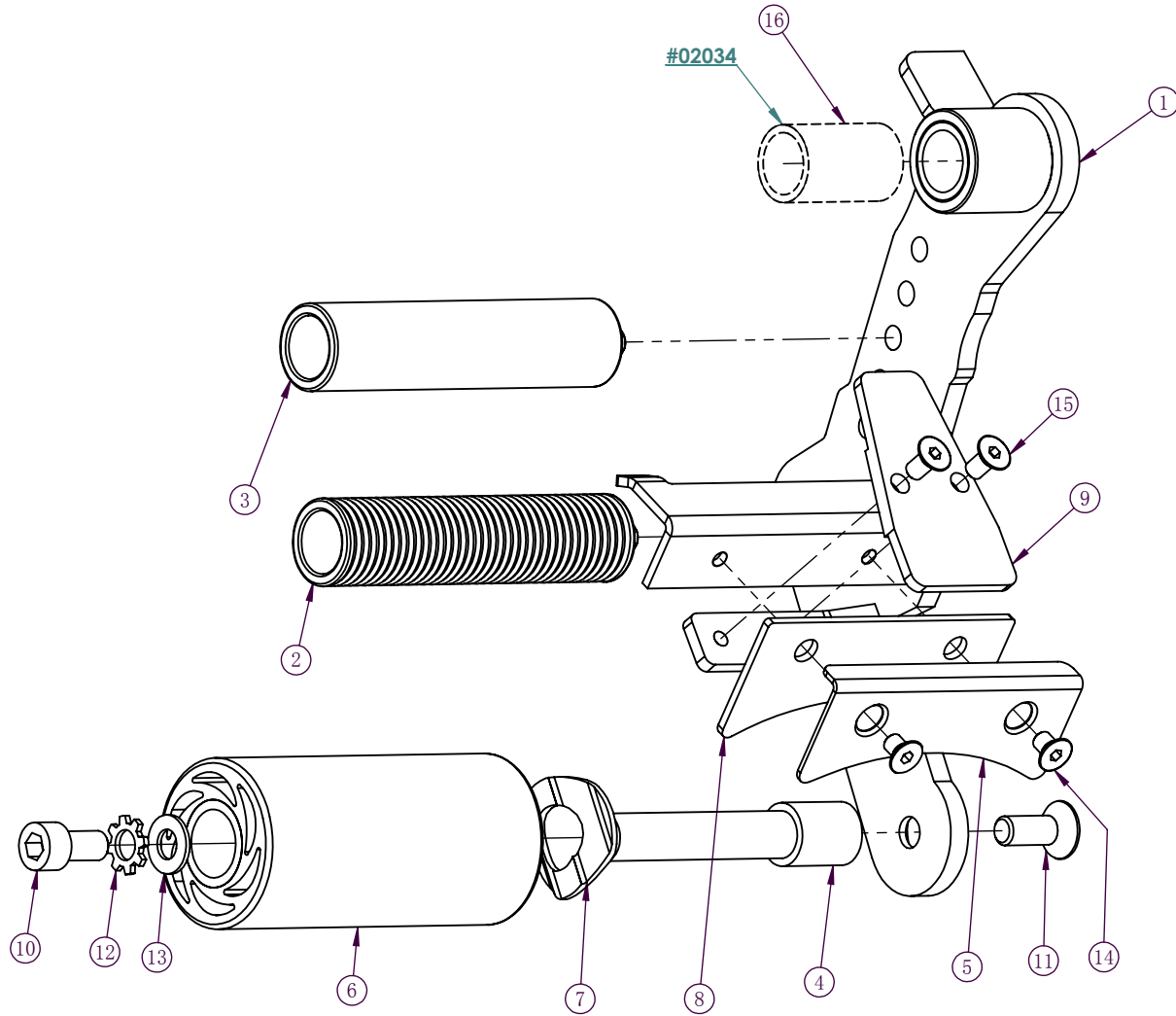
TITLE  
**CORE MECHANISM RH 3"**

DWG #: 51033 REV. 02

REV.	DESCRIPTION	DATE
02		
	REVISIONS	

MODEL:

5



ITEM.	QTY.	PART.	DESCRIPTION	REV.
16	1	02034	<b>901772</b> BUSHING, 1/2x5/8x1"	01
15	2	01039	SOCKET CSK SCREW M4 X 8	01
14	2	01038	SOCKET CSK SCREW M4 X 6	01
13	1	01071	WASHER, M6 X 12MM DIA	01
12	1	01075	WASHER, EXT. TOOTH LOCK, M6	01
11	1	01052	SOCKET CSK SCREW M6 X 16	01
10	1	01032	SOCK. CAP SCREW M6 X 12	01
9	1	03016	<b>901738</b> TAPE SUPPORT	02
8	1	10412	<b>901876</b> GUIDE, TAPE PRE-FORM	02
7	1	03015	<b>901737</b> DRAG WASHER	02
6	1	03020	<b>901875</b> SPIRAL ROLLER, 3"	01
5	1	10755	<b>901613</b> 3" CLAMP	01
4	1	10398	<b>901877</b> SHAFT 3"	01
3	1	50371	<b>901879</b> ROLLER ASSY. 77MM	01
2	1	50372	<b>901878</b> KNURLED ROLLER ASSY. 77MM	01
1	1	51025	<b>902205</b> FRONT ROLLER ARM 3" RH "C"	01

Order replacement parts here:  
<https://shursealsecure.com/contact-shurseal/shurseal-part-order-form/>

※ SPARE PARTS

THE INFORMATION CONTAINED IN THIS DRAWING IS THE SOLE PROPERTY OF PRIMELoc PACKAGING INC. ANY REPRODUCTION IN PART OR AS A WHOLE WITHOUT THE WRITTEN PERMISSION IS PROHIBITED.

MATERIAL: SEE PARTS' LIST

DIMENSIONS ARE IN MILLIMETER  
 DO NOT SCALE DRAWING  
 THIRD ANGLE PROJECTION  
 (3D SOLID DRAWING)

TOLERANCES: .XX .12  
 X .25  
 ANGUL.: 1  
 DEBUR SHARP CORNERS AND  
 EDGES 0.5 MAX



TITLE  
**FRONT ROLLER ARM ASSY. 3" RH**

REV.	DESCRIPTION	DATE

FINISH:

COLOR:

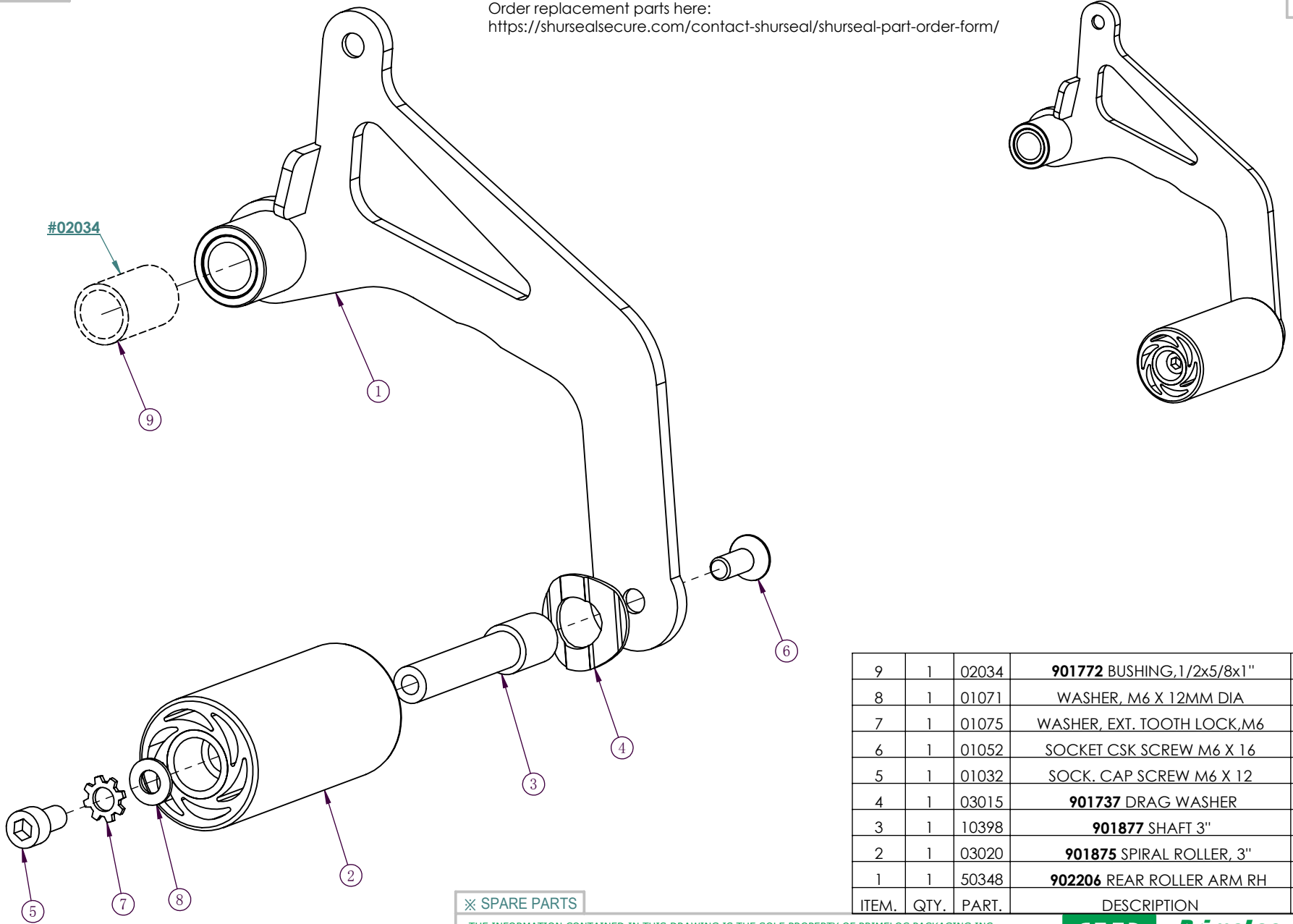
DATE(Y-M-D): 2019-09-01

APPROVED BY: JL

DWG #: 51029 REV. 02

MODEL:

Order replacement parts here:  
<https://shursealsecure.com/contact-shurseal/shurseal-part-order-form/>



ITEM.	QTY.	PART.	DESCRIPTION	REV.
9	1	02034	<b>901772</b> BUSHING, 1/2x5/8x1"	01
8	1	01071	WASHER, M6 X 12MM DIA	01
7	1	01075	WASHER, EXT. TOOTH LOCK, M6	01
6	1	01052	SOCKET CSK SCREW M6 X 16	01
5	1	01032	SOCK. CAP SCREW M6 X 12	01
4	1	03015	<b>901737</b> DRAG WASHER	02
3	1	10398	<b>901877</b> SHAFT 3"	01
2	1	03020	<b>901875</b> SPIRAL ROLLER, 3"	01
1	1	50348	<b>902206</b> REAR ROLLER ARM RH	01

✕ SPARE PARTS

THE INFORMATION CONTAINED IN THIS DRAWING IS THE SOLE PROPERTY OF PRIMELoc PACKAGING INC. ANY REPRODUCTION IN PART OR AS A WHOLE WITHOUT THE WRITTEN PERMISSION IS PROHIBITED.

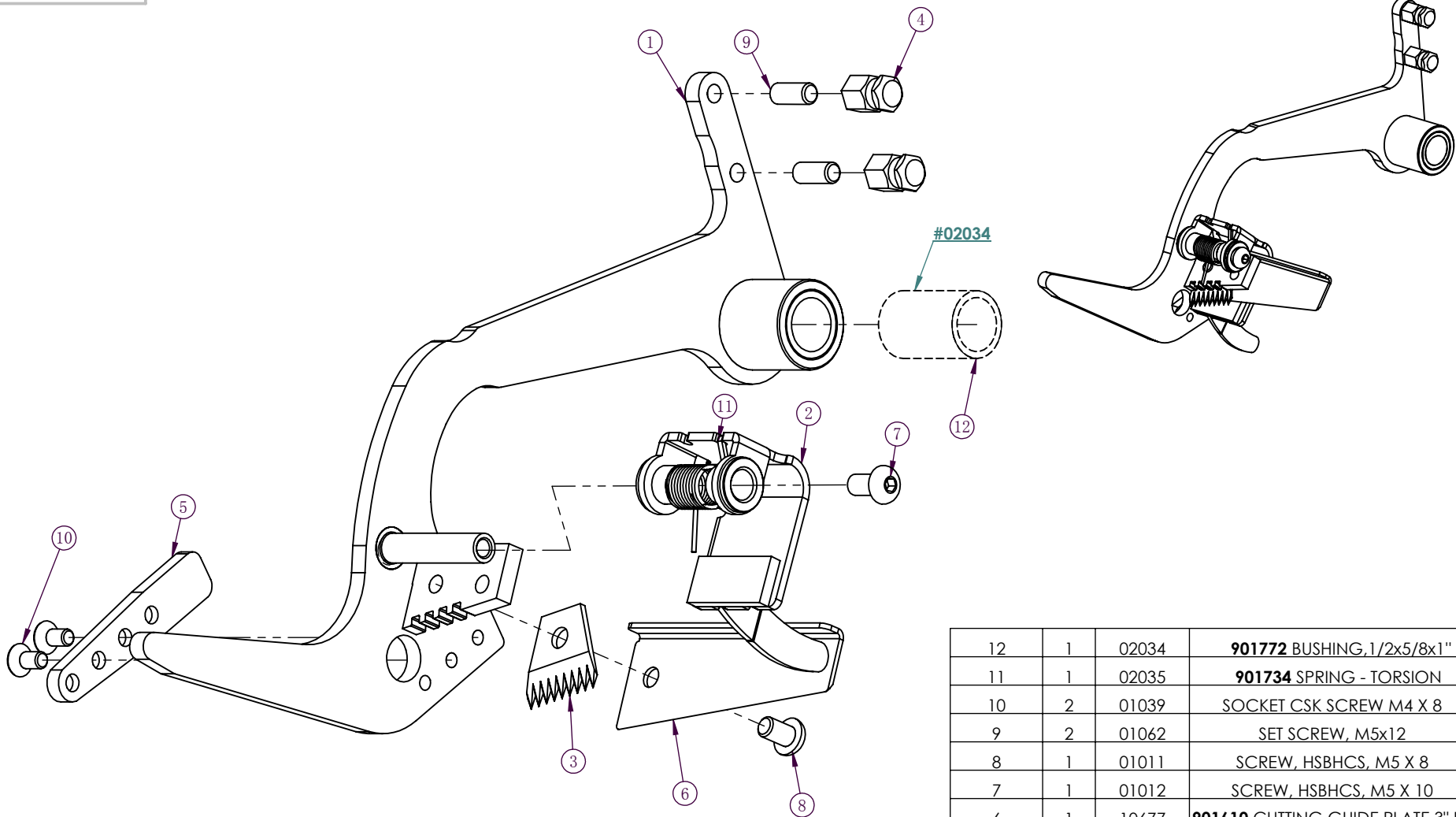


MATERIAL: SEE PARTS' LIST	DIMENSIONS ARE IN MILLIMETER DO NOT SCALE DRAWING THIRD ANGLE PROJECTION (3D SOLID DRAWING)	TOLERANCES: .XX .12 .X .25 ANGUL.: 1	TITLE <b>REAR ROLLER ARM ASSY. 3" RH</b>
SIZE:	REF.DWG #:	DEBUR SHARP CORNERS AND EDGES 0.5 MAX	DRAWN BY: YP
FINISH:	COLOR:	DATE(Y-M-D): 2019-09-01	APPROVED BY: JL
		DWG #: 50379	REV. 02

REV.	DESCRIPTION	DATE
	REVISIONS	

MODEL:

7



ITEM NO.	QTY.	PART NO.	DESCRIPTION	REV.
12	1	02034	<b>901772</b> BUSHING, 1/2x5/8x1"	01
11	1	02035	<b>901734</b> SPRING - TORSION	02
10	2	01039	SOCKET CSK SCREW M4 X 8	01
9	2	01062	SET SCREW, M5x12	01
8	1	01011	SCREW, HSBHCS, M5 X 8	01
7	1	01012	SCREW, HSBHCS, M5 X 10	01
6	1	10677	<b>901610</b> CUTTING GUIDE PLATE 3" RH	01
5	1	10368	<b>901768</b> ADJUSTMENT BAR	02
4	2	10706	<b>902213</b> PIN, ANCHOR 12.7 MM	01
3	1	10469	<b>901788</b> KNIFE	01
2	1	50663	<b>901623</b> KNIFE GUARD ASSY. RH	01
1	1	51005	CUTTING CAM WELD ASSY, RH	01

Order replacement parts here:  
<https://shursealsecure.com/contact-shurseal/shurseal-part-order-form/>

✘ SPARE PARTS

THE INFORMATION CONTAINED IN THIS DRAWING IS THE SOLE PROPERTY OF PRIMELoc PACKAGING INC . ANY REPRODUCTION IN PART OR AS A WHOLE WITHOUT THE WRITTEN PERMISSION IS PROHIBITED.

MATERIAL: SEE PARTS' LIST

DIMENSIONS ARE IN MILLIMETER  
 DO NOT SCALE DRAWING  
 THIRD ANGLE PROJECTION  
 (3D SOLID DRAWING)

TOLERANCES: .XX .12  
 .X .25  
 ANGUL.: 1  
 DEBUR SHARP CORNERS AND  
 EDGES 0.5 MAX

SIZE:

REF.DWG #:

DRAWN BY: YP

FINISH:

COLOR:

DATE(Y-M-D): 2019-09-01

APPROVED BY: JL



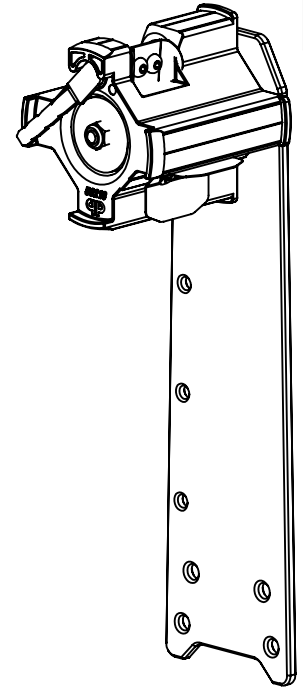
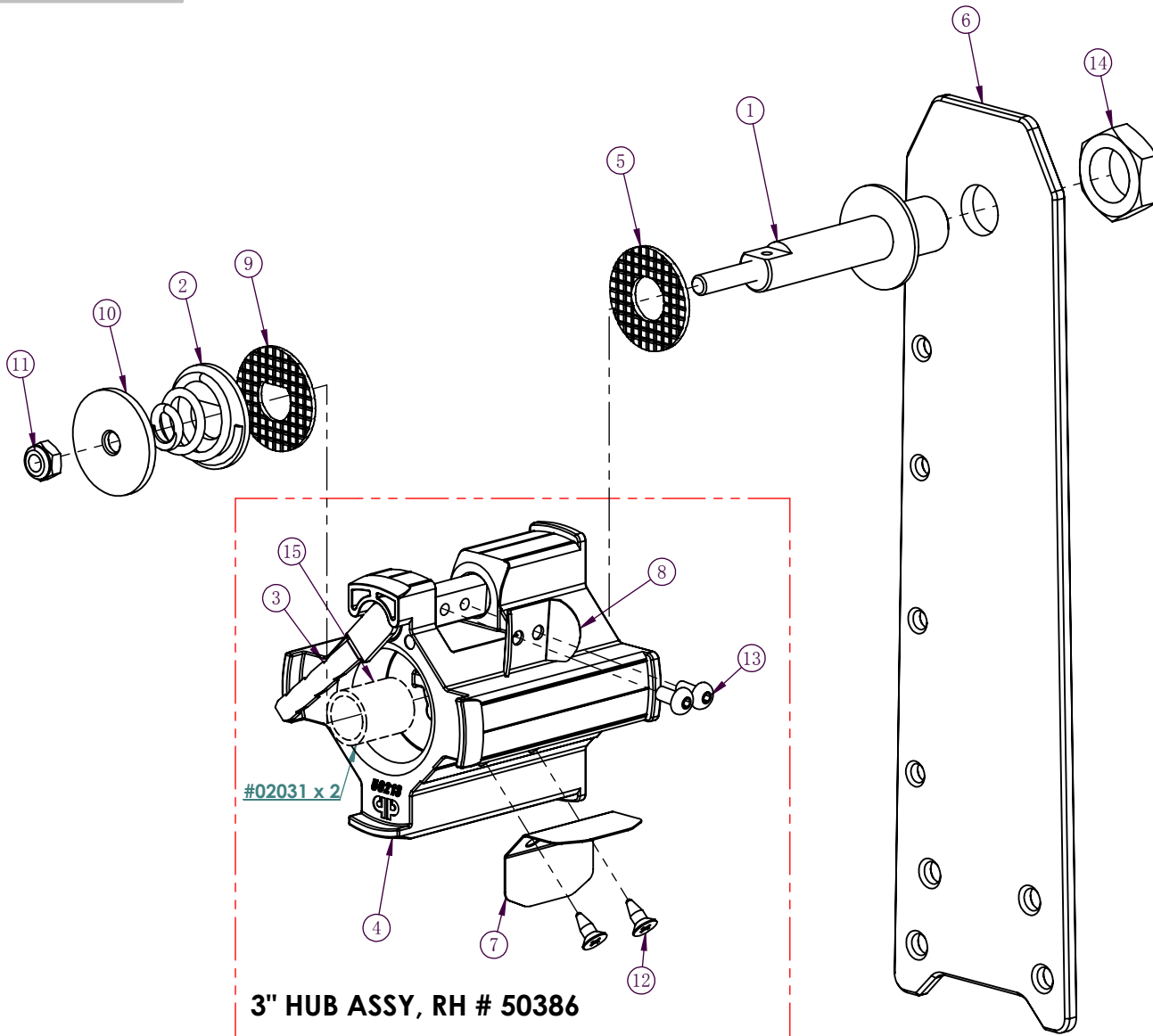
TITLE  
**CUTTING CAM ASSY. 3" RH**

DWG #: 51017 REV. 02

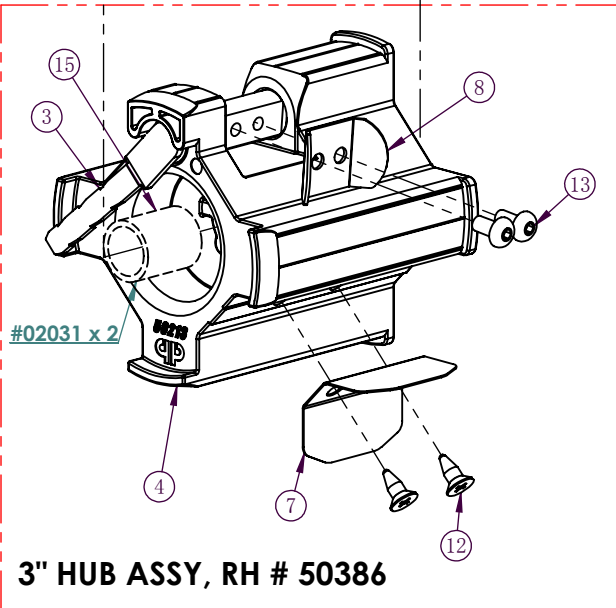
REV.	DESCRIPTION	DATE
02		
	REVISIONS	

MODEL:

8



15	2	02031	<b>901771</b> BUSHING 1/2 X 5/8 X 3/4	01
14	1	01111	JAM NUT, 5/8-18 UNF	01
13	2	01005	SCREW, HSBHCS, M4 X 8	01
12	2	01129	PLASTC TAPPING SCREW 4 X 8	01
11	1	01085	<b>901719</b> NUT,NYLOCK, M6x1.0	01
10	1	10850	<b>901794</b> TENSION GAUGE PLATE	01
9	1	10738	<b>901630</b> ROPANOL - D Washer	01
8	1	10067	<b>901745</b> SPRING, LOCK	02
7	1	10069	<b>901746</b> SPRING PLATE, FIXED	01
6	1	10454	SUPPORT MAST	01
5	1	10334	<b>901753</b> WASHER, FRICTION	02
4	1	50213	TAPE ROLL HUB 3"	01
3	1	50310	<b>902282</b> LOCK LEVER RH	01
2	1	50358	<b>901729</b> SPRING - CONICAL, HUB	01
1	1	50411	<b>902378</b> SCREW, ADJUSTMENT 3",ASSY	01
ITEM.	QTY.	PART.	DESCRIPTION	REV.



**3" HUB ASSY, RH # 50386**

Order replacement parts here:  
<https://shursealsecure.com/contact-shurseal/shurseal-part-order-form/>

✘ SPARE PARTS

THE INFORMATION CONTAINED IN THIS DRAWING IS THE SOLE PROPERTY OF PRIMELoc PACKAGING INC . ANY REPRODUCTION IN PART OR AS A WHOLE WITHOUT THE WRITTEN PERMISSION IS PROHIBITED.

MATERIAL: SEE PARTS' LIST

DIMENSIONS ARE IN MILLIMETER  
 DO NOT SCALE DRAWING  
 THIRD ANGLE PROJECTION  
 (3D SOLID DRAWING)

TOLERANCES: .XX ±.12  
 .X ±.25  
 ANGUL.: ±1°  
 DEBUR SHARP CORNERS AND  
 EDGES 0.5 MAX

SIZE:

REF.DWG #:

DRAWN BY: YP

FINISH:

COLOR:

DATE(Y-M-D): 2019-09-01

APPROVED BY: JL

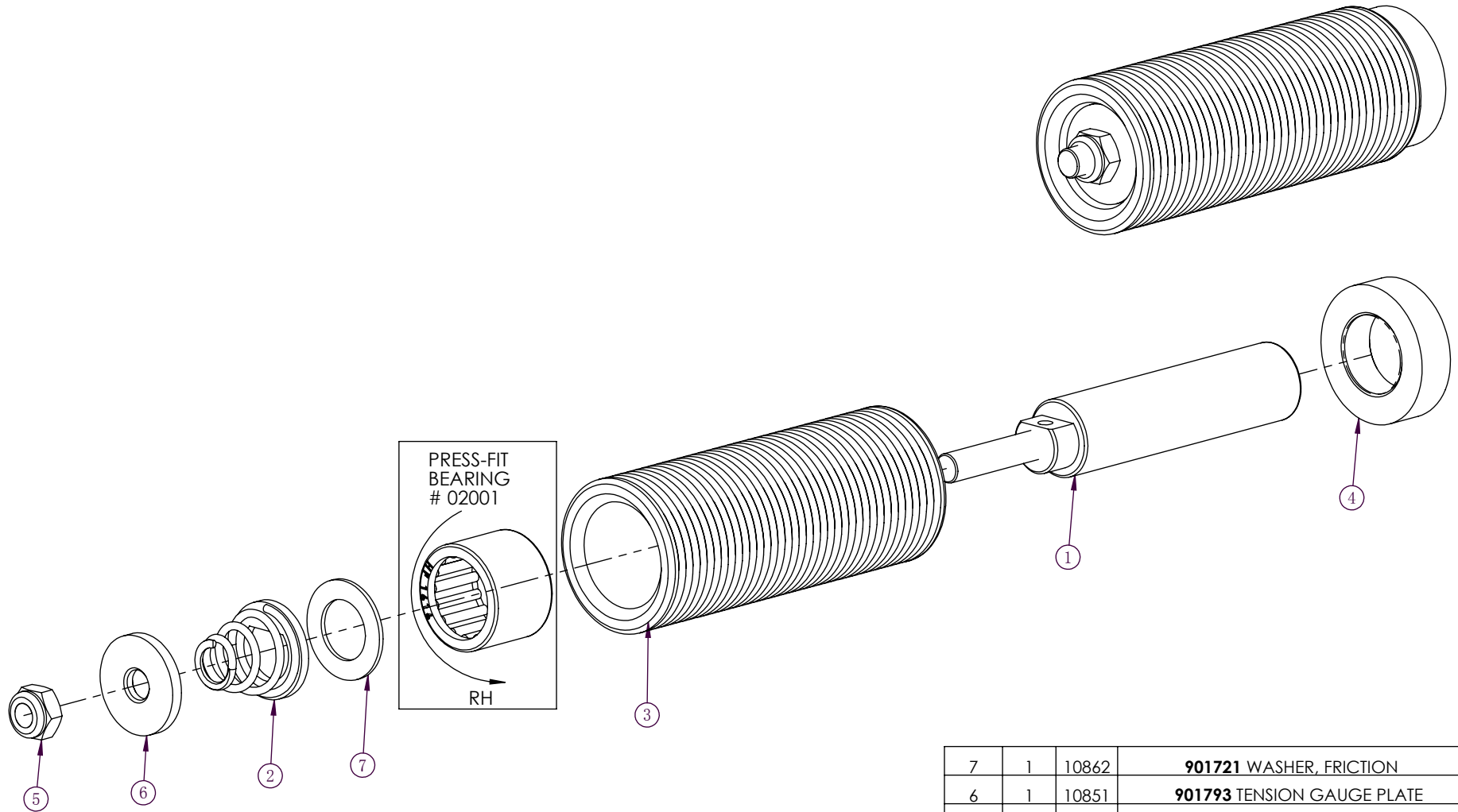


TITLE  
**TAPE ROLL MAST ASSY. 3" RH**

DWG #: 50388 REV. 02

REV.	DESCRIPTION	DATE
02		
	REVISIONS	





7	1	10862	<b>901721</b> WASHER, FRICTION	01
6	1	10851	<b>901793</b> TENSION GAUGE PLATE	01
5	1	01085	<b>901719</b> NUT, NYLOCK, M6x1.0	01
4	1	10364	<b>901765</b> SPACER, CLUTCH ROLLER	01
3	1	50560	<b>901884</b> CLUTCH ROLLER 3" RH	01
2	1	50357	<b>901728</b> SPRING - CONICAL, CLUTCH	01
1	1	50413	<b>901931</b> 3" ONE-WAY CLUTCH ROLLER SHAFT	01
ITEM.	QTY.	PART.	DESCRIPTION	REV.

Order replacement parts here:  
<https://shursealsecure.com/contact-shurseal/shurseal-part-order-form/>

✕ SPARE PARTS

THE INFORMATION CONTAINED IN THIS DRAWING IS THE SOLE PROPERTY OF PRIMELoc PACKAGING INC . ANY REPRODUCTION IN PART OR AS A WHOLE WITHOUT THE WRITTEN PERMISSION IS PROHIBITED.

MATERIAL: SEE PARTS' LIST

DIMENSIONS ARE IN MILLIMETER  
 DO NOT SCALE DRAWING  
 THIRD ANGLE PROJECTION  
 (3D SOLID DRAWING)

TOLERANCES: .XX .12  
 .X .25  
 ANGUL.: 1  
 DEBUR SHARP CORNERS AND  
 EDGES 0.5 MAX



TITLE  
**CLUTCH ROLLER ASSY. 3" RH**

SIZE:

REF.DWG #:

DRAWN BY: YP

FINISH:

COLOR:

DATE(Y-M-D): 2019-09-01

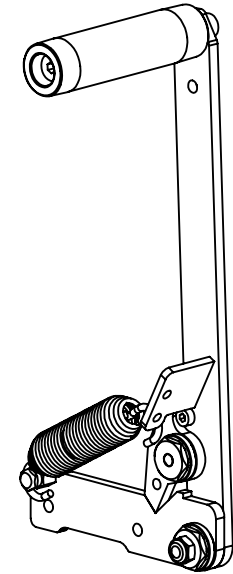
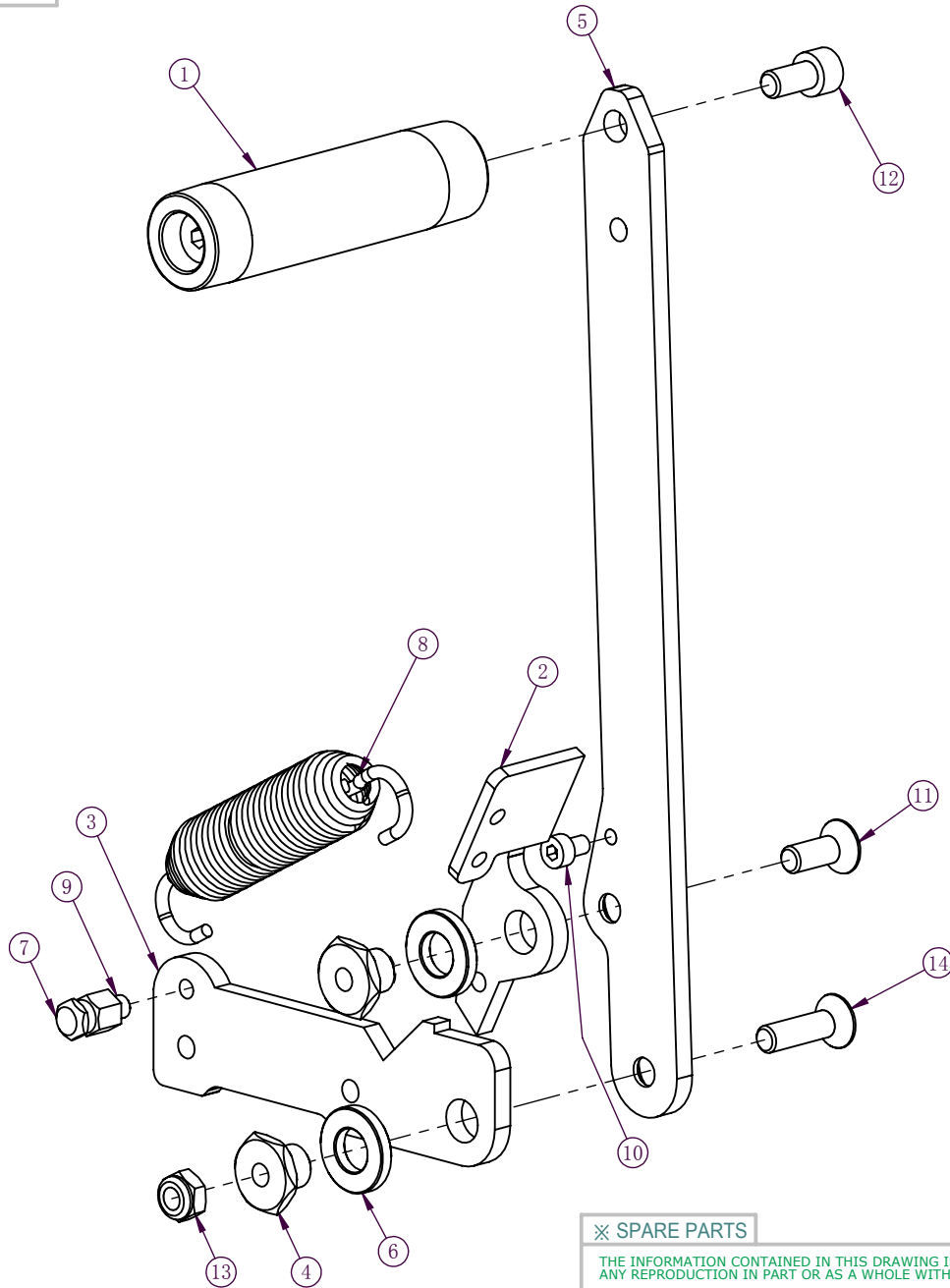
APPROVED BY: JL

DWG #: 50211 REV. 02

REV.	DESCRIPTION	DATE
02		
	REVISIONS	

MODEL:

10



Order replacement parts here:  
<https://shursealsecure.com/contact-shurseal/shurseal-part-order-form/>

ITEM.	QTY.	PART.	DESCRIPTION	REV.
14	1	01167	SOCKET CSK SCREW,M6 X 22	01
13	1	01085	<b>901719</b> NUT,NYLOCK, M6x1.0	01
12	1	01032	SOCK. CAP SCREW M6 X 12	01
11	1	01052	SOCKET CSK SCREW M6 X 16	01
10	1	01100	SOCK. CAP SCREW M4 X 6.0	01
9	1	01062	SET SCREW, M5x12	01
8	1	02048	<b>901731</b> SPRING, ROLLER TENSION	01
7	1	10706	PIN, ANCHOR 12.7 MM	01
6	2	10342	<b>902306</b> PLASTIC SPACER	01
5	1	10337	DANCER ARM, RH	02
4	2	10341	<b>901756</b> SHAFT - HEX	01
3	1	10828	<b>902310</b> LATCH BAR	01
2	1	50154	<b>902308</b> LATCH, RH	01
1	1	50370	<b>901871</b> ROLLER ASSY. 83.5 MM	01
ITEM.	QTY.	PART.	DESCRIPTION	REV.

※ SPARE PARTS

THE INFORMATION CONTAINED IN THIS DRAWING IS THE SOLE PROPERTY OF PRIMELOC PACKAGING INC . ANY REPRODUCTION IN PART OR AS A WHOLE WITHOUT THE WRITTEN PERMISSION IS PROHIBITED.

MATERIAL: SEE PARTS' LIST	DIMENSIONS ARE IN MILLIMETER DO NOT SCALE DRAWING THIRD ANGLE PROJECTION (3D SOLID DRAWING)	TOLERANCES: .XX .12 " .25 ANGUL.: 1	
SIZE:	REF.DWG #:	DEBUR SHARP CORNERS AND EDGES 0.5 MAX	
FINISH: -	COLOR: -	DATE(Y-M-D): 2019-09-01	<b>OPTION: 5602</b> <b>DANCER ARM ASSY. 3" RH</b> DWG #: 50216 REV. 02

REV.	DESCRIPTION	DATE
02		
	REVISIONS	